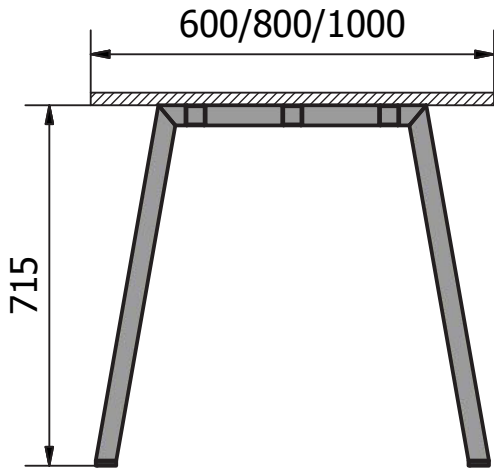
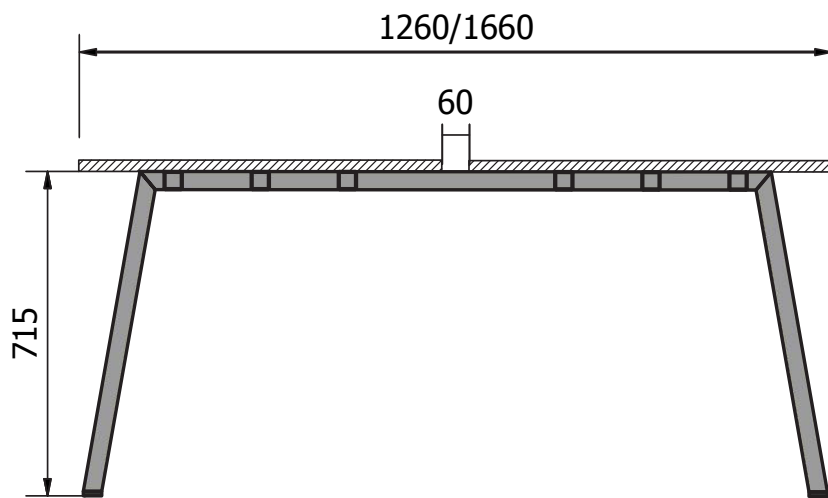


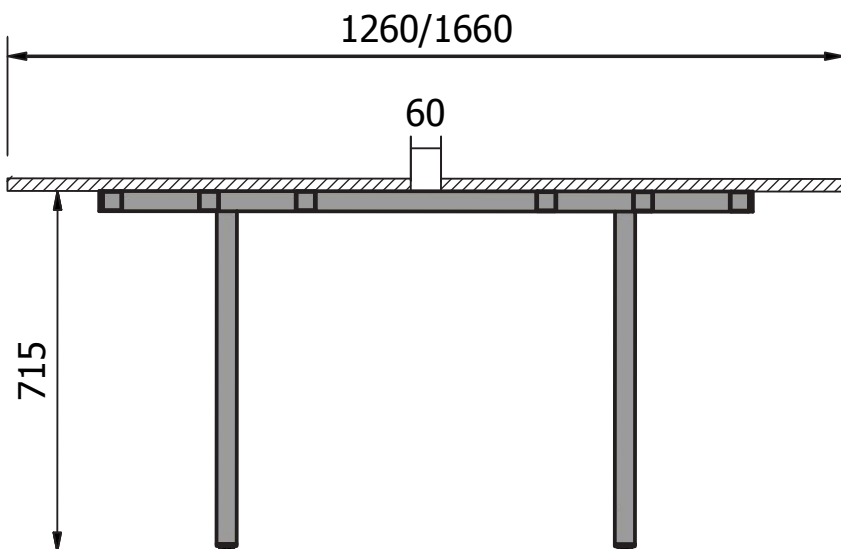
- Stand made of 40x40 tube
- 1200/2000 telescopic beam made of press folded metal sheet; electrifiable beam
- Ephossidic powder painting
- Top placed on frame



Stand L600	157 952 00
Pair of stands L800	157 953 00
Pair of stands L1000	157 964 00



Pair of stands L1260	157 954 00
Pair of stands L1660	157 955 00

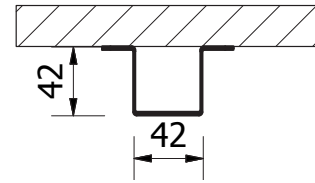


Central Stand L1260	157 956 00
Central Stand L1660	157 957 00

BEAM

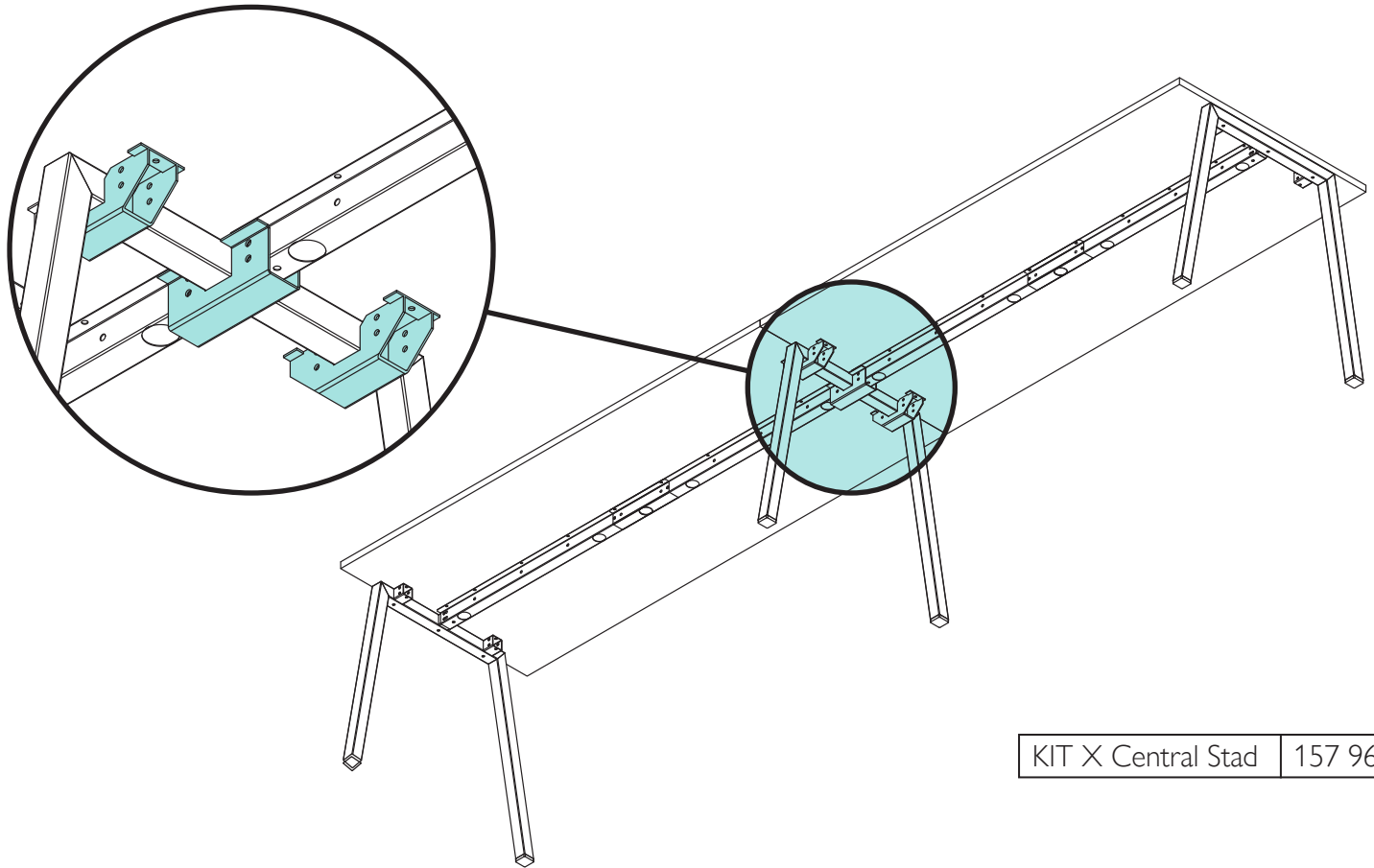


TELESCOPIC BEAM 1200/2000



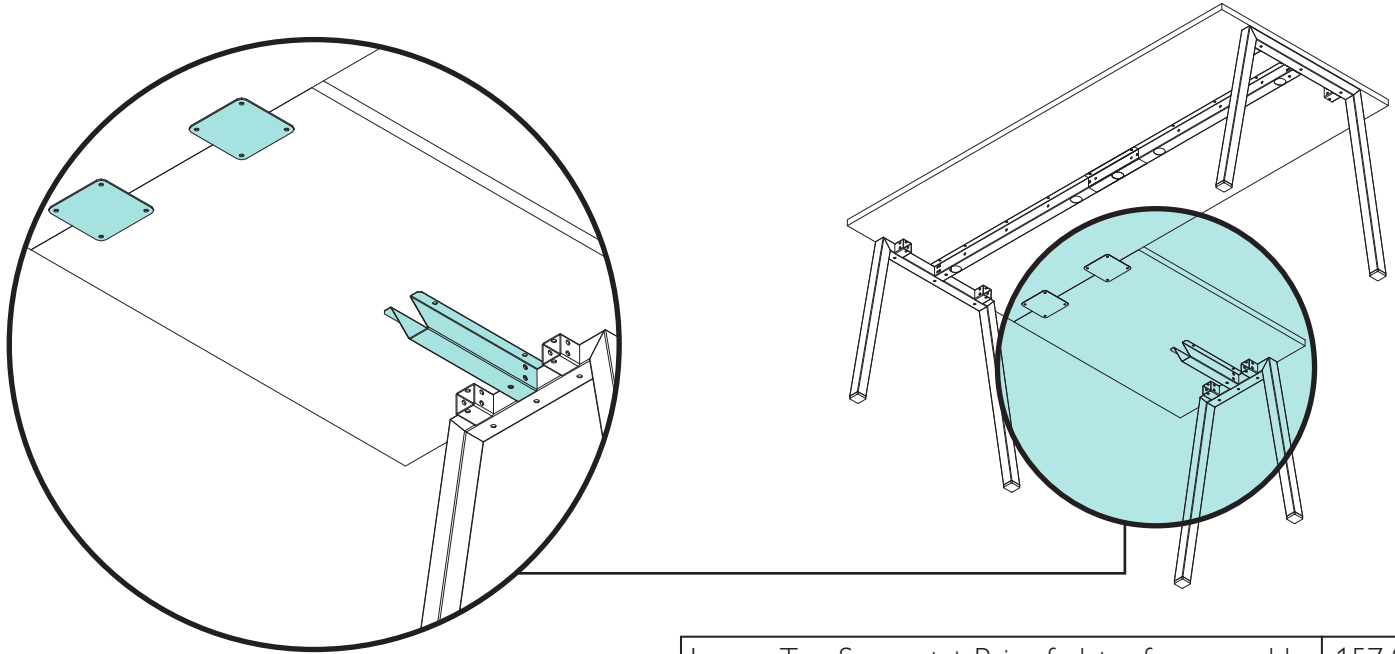
Telescopic Beam 120/200	180 052 00
----------------------------	------------

CENTRAL KIT

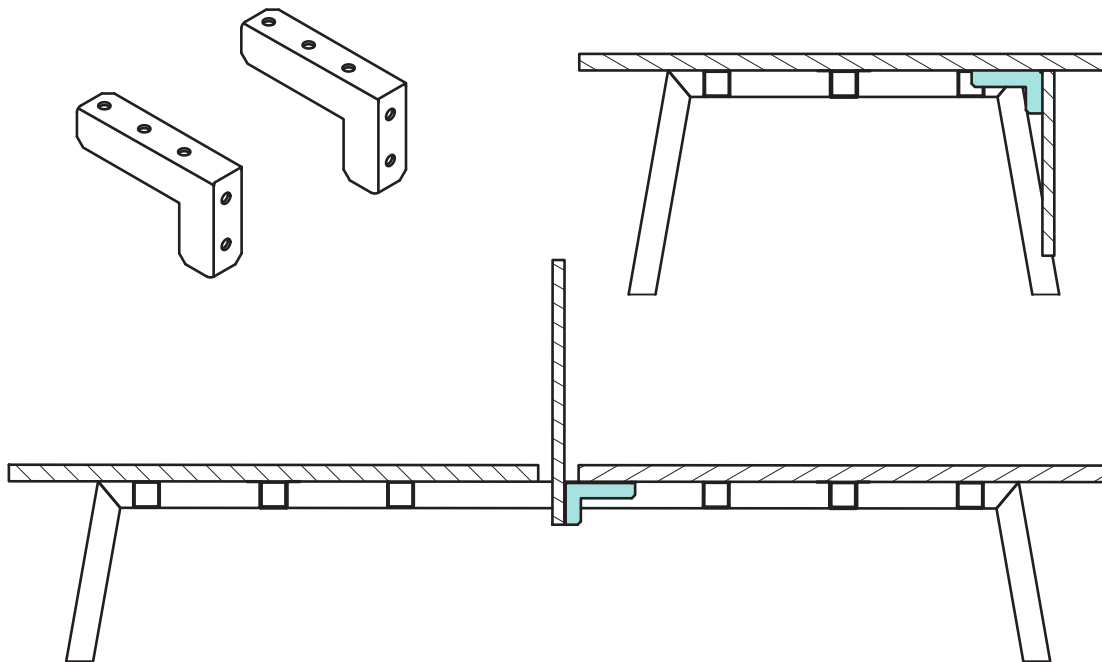


KIT X Central Stad	157 965 00
--------------------	------------

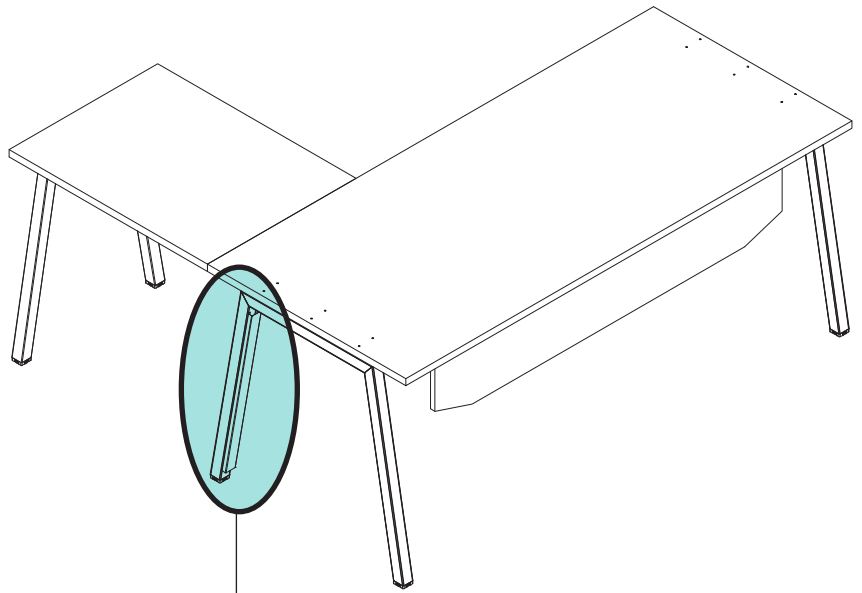
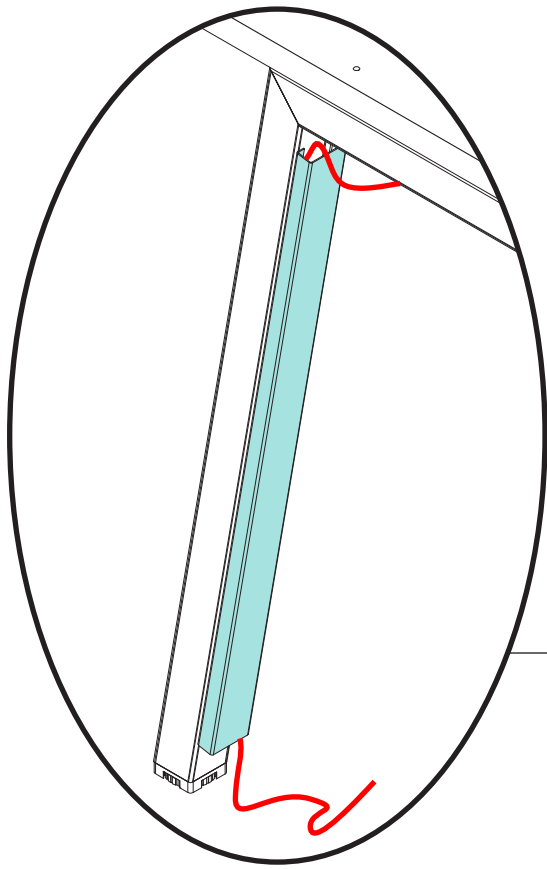
ACCESSORIES



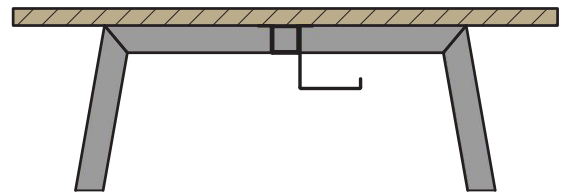
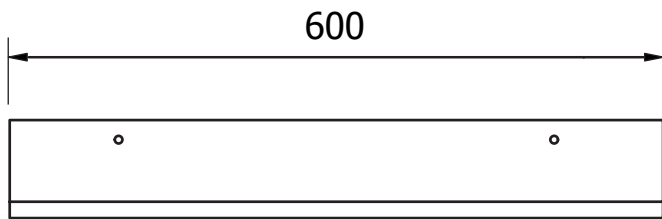
Lower Top Support + Pair of plates for ensemble 157 959 00



Pair of brackets Screen/Modesty 158 010 00



Carter 158 016 00



Duct L600 158 05200