

FLEXY 60X30

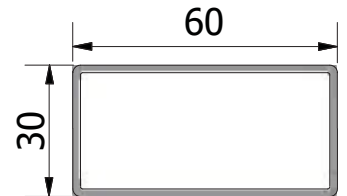
A program made up of bench stands, single frames and elements for support on container furniture.

The frames can be completed by accessories for modesty panels assembling, screens and carters for vertical and horizontal ducting.

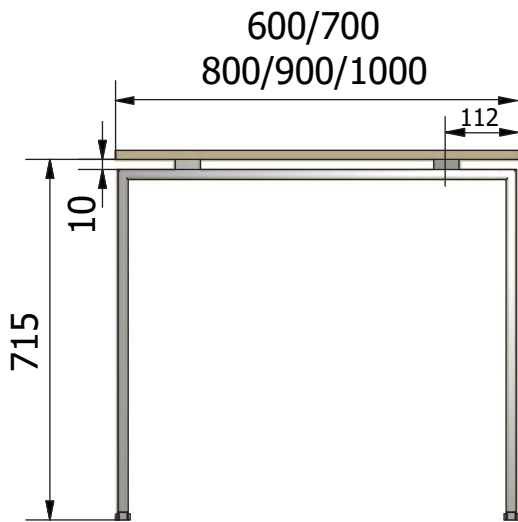
The frame is made with the 60x30 profile 2.0mm thickness

The desk top is suspended from the metal frame of 10mm.

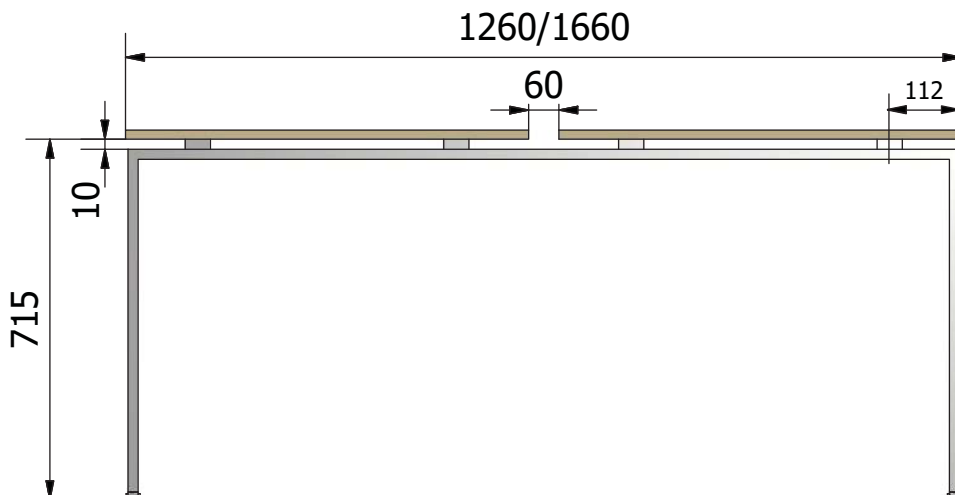
- STAND: 60x30mm section tube 2.0mm thickness
- BEAM: 2.0mm thickness press-folded sheet metal;
- FEET: adjustable feet matching with the stand color
- BEAM HEAD COVER: matching with the stand color



FLEXY_U

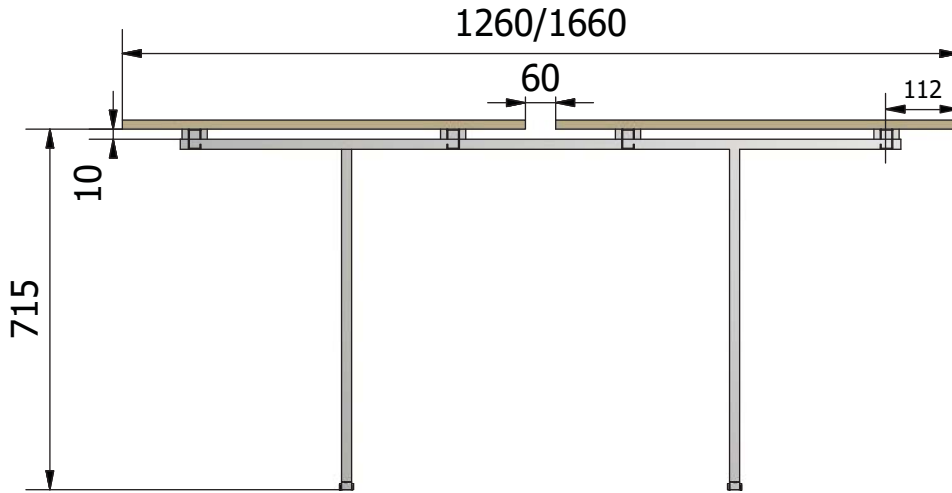


Pair of stands 60	154 316 00
Pair of stands 70	157 423 00
Pair of stands 80	154 275 00
Pair of stands 90	154 377 00
Pair of stands 100	190 246 00



Stand 126	154 378 00
Stand 166	154 379 00

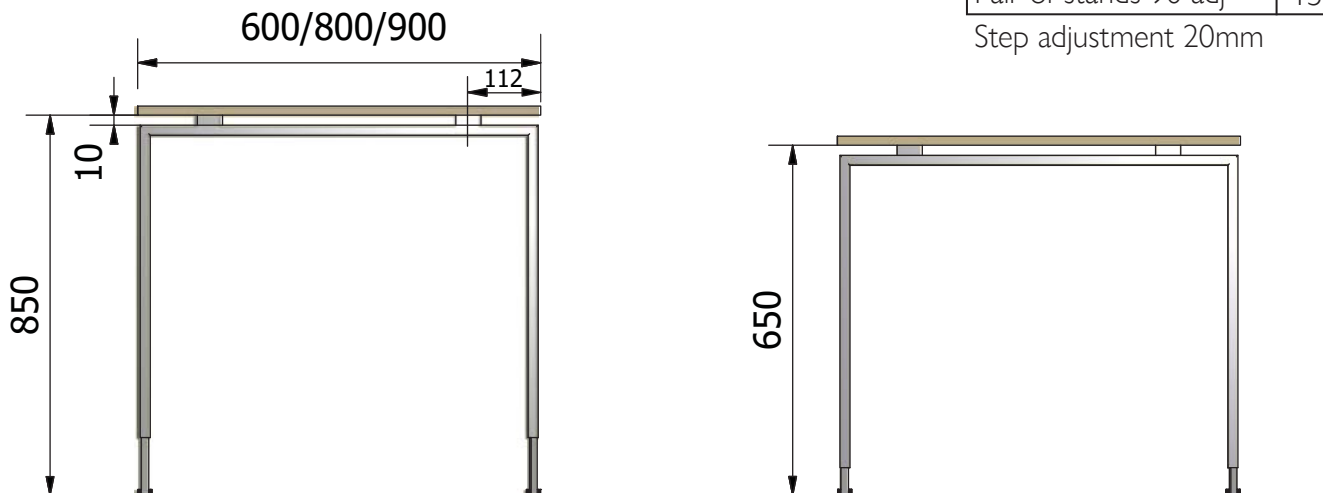
Central stand 126	180 320 00
Central stand 166	180 385 00



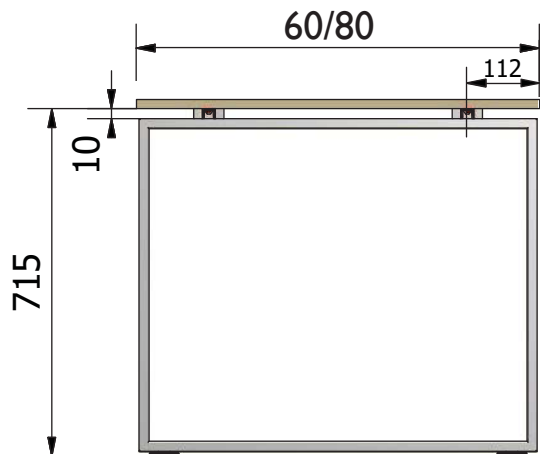
FLEXY_Adjustment

Stands 60 adj	154 267 00
Pair of stands 80 adj	154 265 00
Pair of stands 90 adj	154 266 00

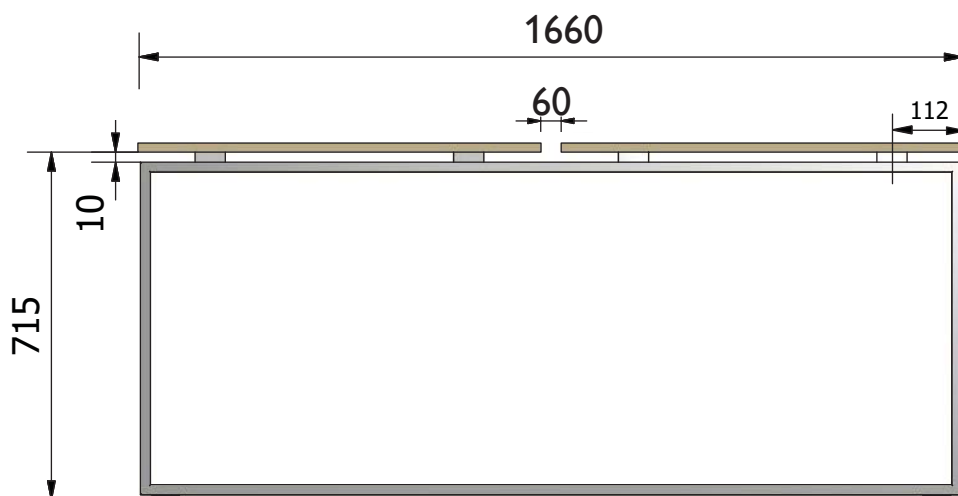
Step adjustment 20mm



FLEXY_ANELLO

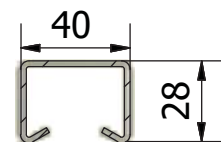


Anello stand 60	154 277 00
Pair of stands anello 80	154 498 00



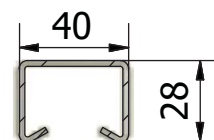
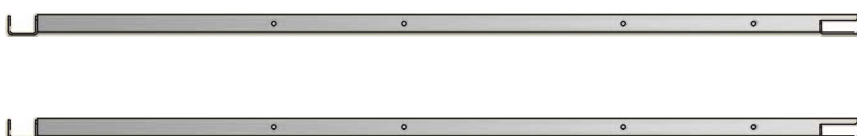
Anello stand 166	156 206 00
------------------	------------

BEAMS



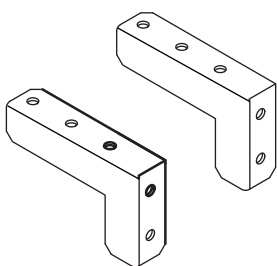
Pair of beams 800	180 108 00
Pair of beams 1000	180 109 00
Pair of beams 1200	180 110 00
Pair of beams 1400	180 107 00
Pair of beams 1600	180 029 00

Pair of beams 1800	180 030 00
Pair of beams 2000	180 111 00
Pair of beams 2200	180 112 00
Pair of beams 2400	180 113 00



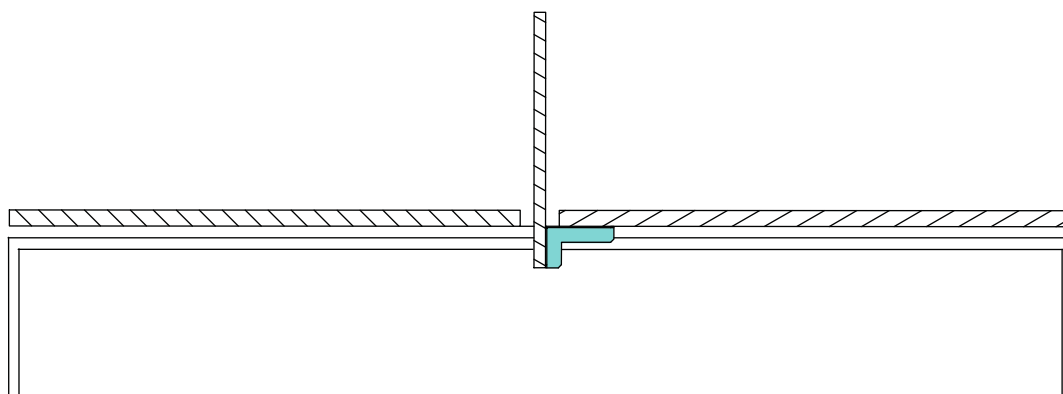
Pair of beams with extension 600	180 307 00
Pair of beams with extension 800	180 028 00
Pair of beams with extension 1000	180 114 00
Pair of beams with extension 1200	180 115 00

ACCESSORIES

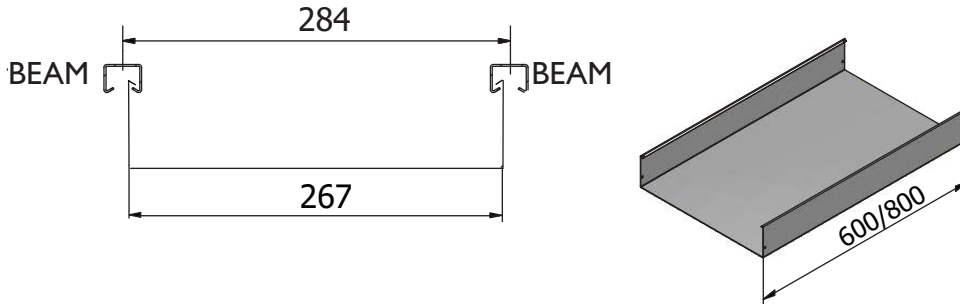


Pair of brackets for screen

158 010 00

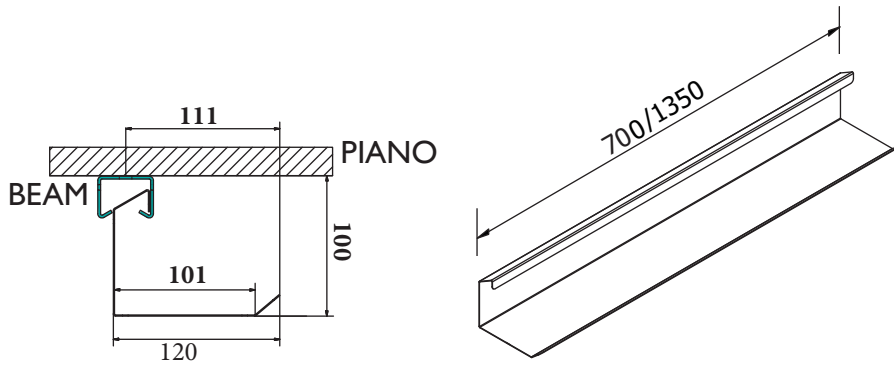


ACCESSORIES



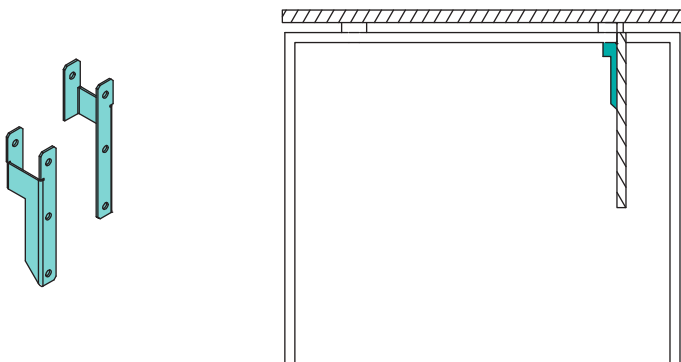
Electrified duct cable shared for stands 1260/1660 hooked to the beam

Duct L 600	180 321 00
Duct L 800	180 336 00



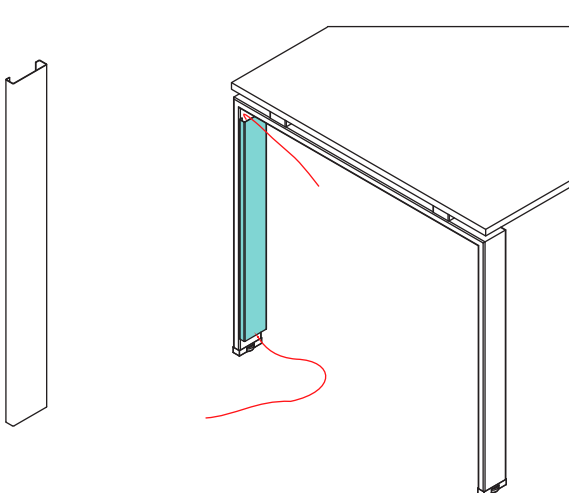
Single electrification duct hooked to beams

Duct L 700	154 118 00
Duct L 1350	156 267 00



Pair of brackets hooked to the beams for modesty panel sustain

180 212 00



Vertical electrification carter on stand leg

154 019 00
