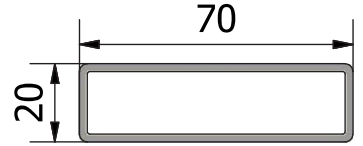


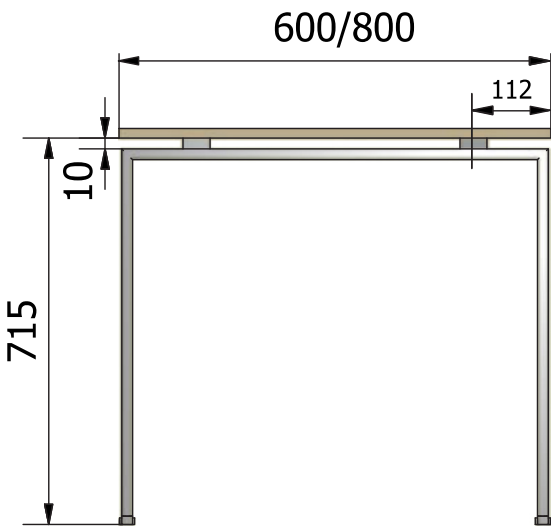
FLEXY 70X20

A program made up of bench stands, single frames and elements for support on container furniture.
 The frames can be completed by accessories for modesty panels assembling, screens and carters for vertical and horizontal ducting.
 The frame is made with the 60x30 profile 2.0mm thickness
 The desk top is suspended from the metal frame of 10mm.

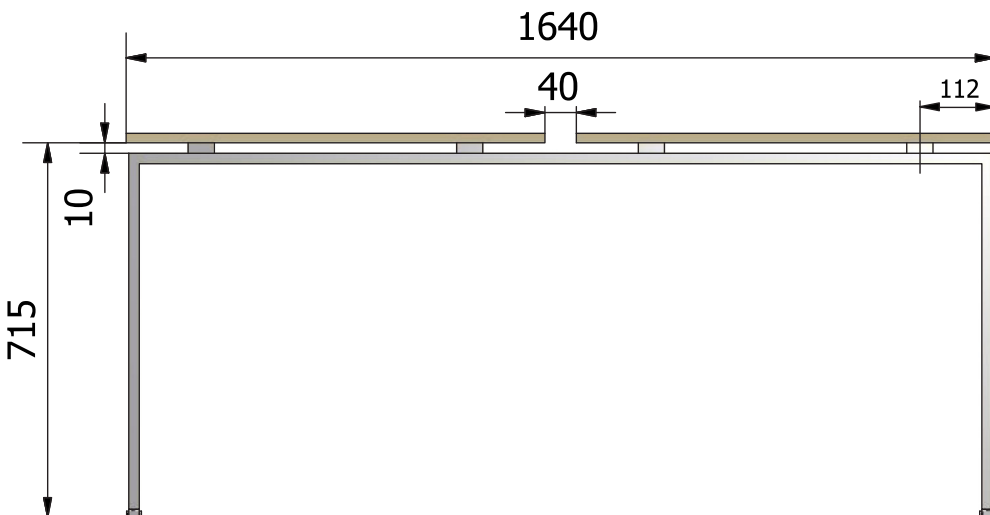
- STAND: 60x30mm section tube 2.0mm thickness
- BEAM: 2.0mm thickness press-folded sheet metal;
- FEET: adjustable feet matching with the stand color
- BEAM HEAD COVER: matching with the stand color



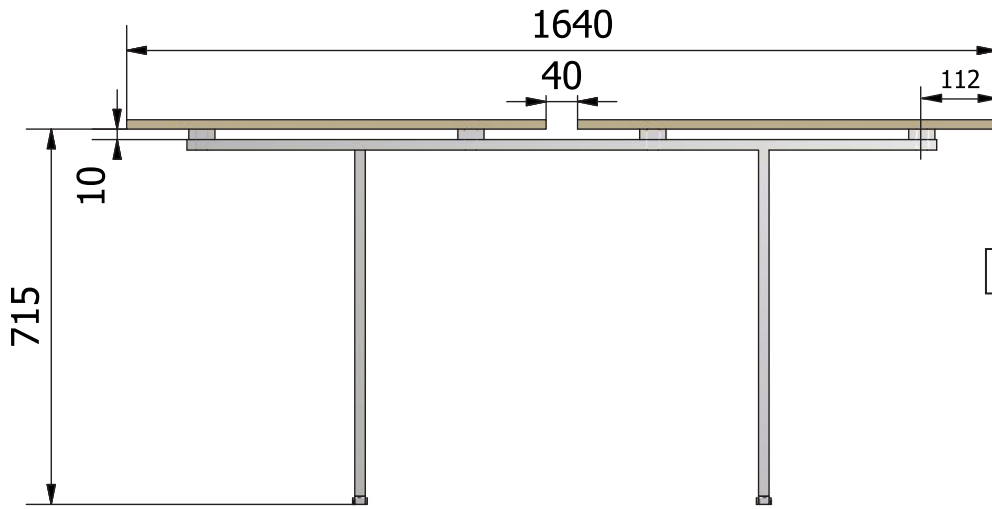
FLEXY_U



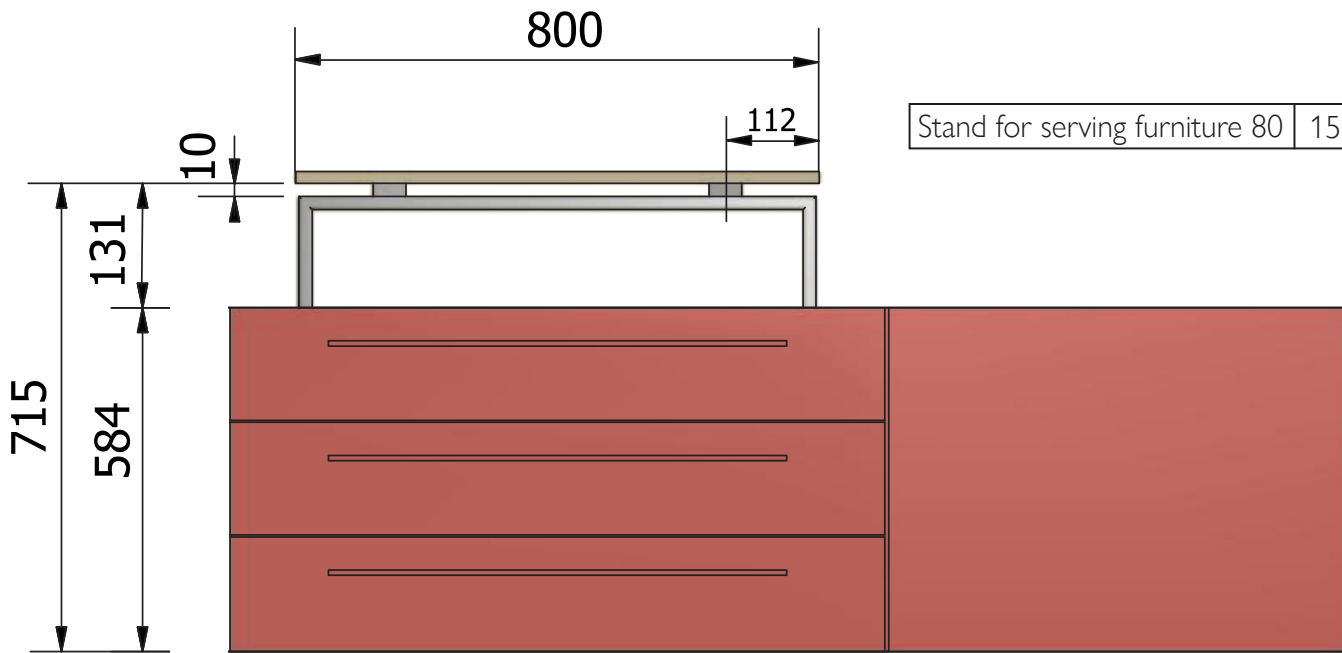
Pair of stands 60	190 131 00
Pair of stands 80	190 159 00



Pair of stands 164	190 165 00
--------------------	------------

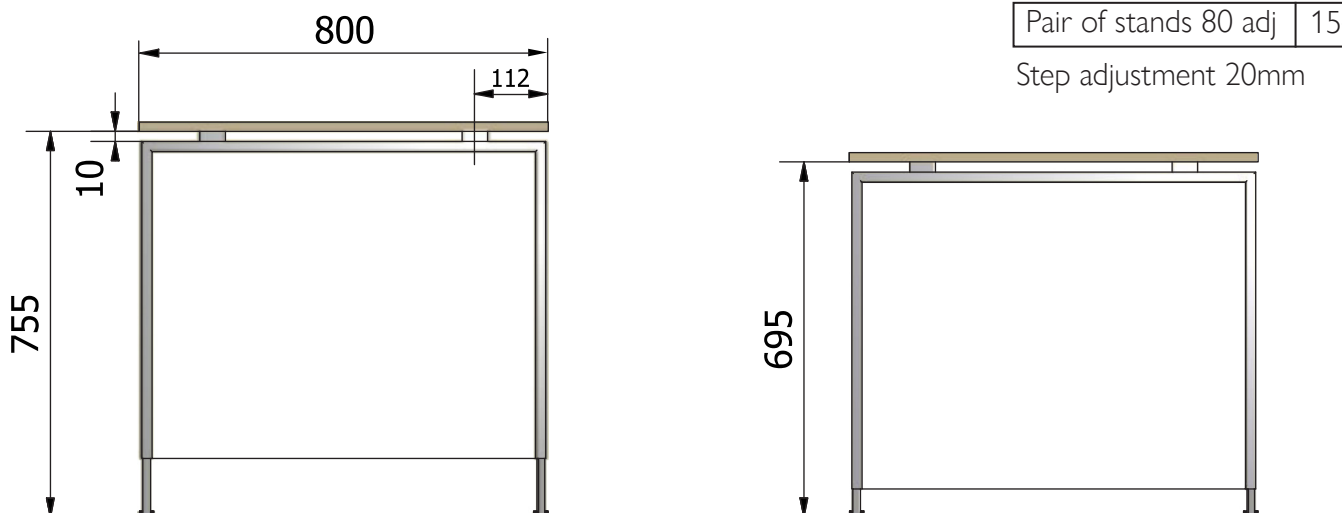


Central stand 164	190 208 00
-------------------	------------



Stand for serving furniture 80	155 740 00
--------------------------------	------------

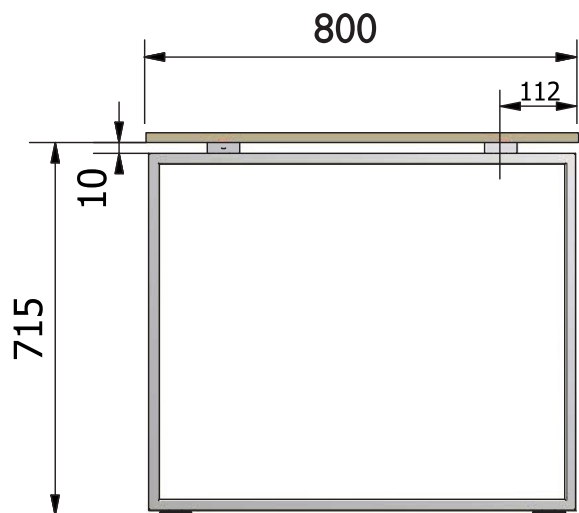
FLEXY_Adjustment



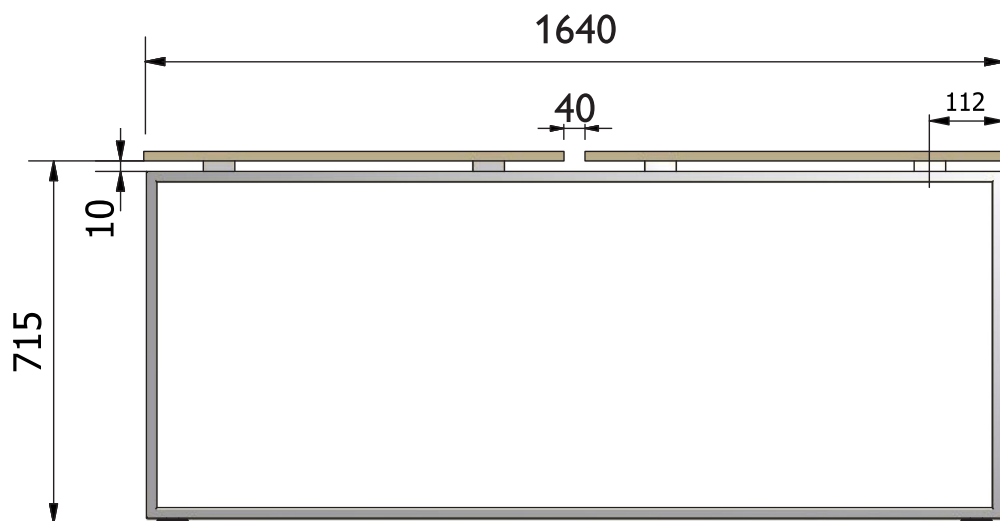
Pair of stands 80 adj	154 547 00
-----------------------	------------

Step adjustment 20mm

FLEXY_ANELLO

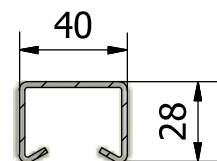


Anello stand 80	155 546 00
-----------------	------------



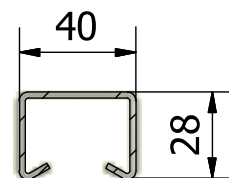
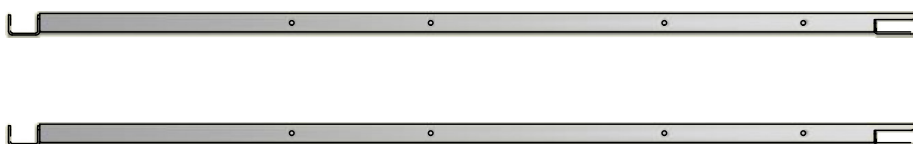
Anello stand 164	156 035 00
------------------	------------

BEAMS



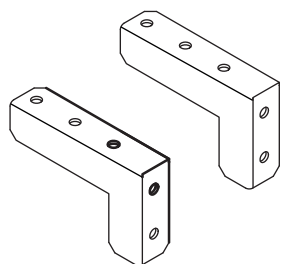
Pair of beams 800	180 058 00
Pair of beams 1000	180 059 00
Pair of beams 1200	180 023 00
Pair of beams 1400	180 060 00
Pair of beams 1600	180 024 00

Pair of beams 1800	180 027 00
Pair of beams 2000	180 061 00



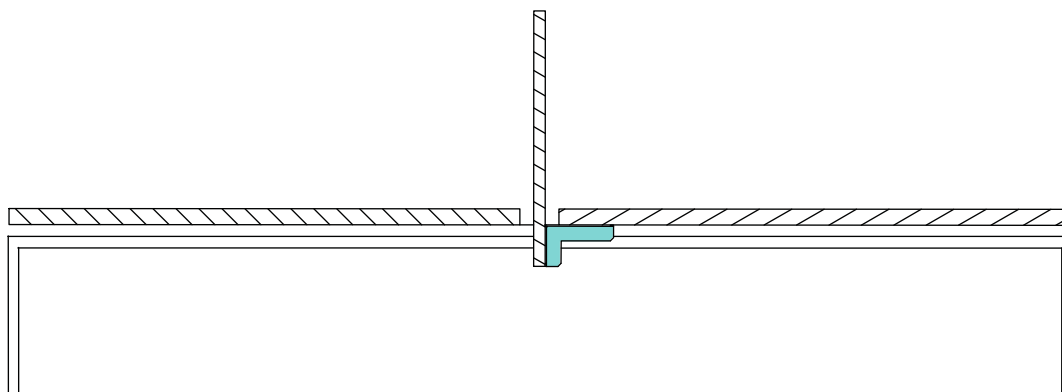
Pair of beams with extension 800	180 065 00
Pair of beams with extension 1000	180 066 00
Pair of beams with extension 1200	180 064 00

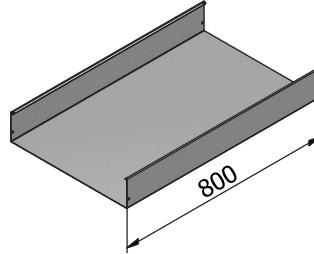
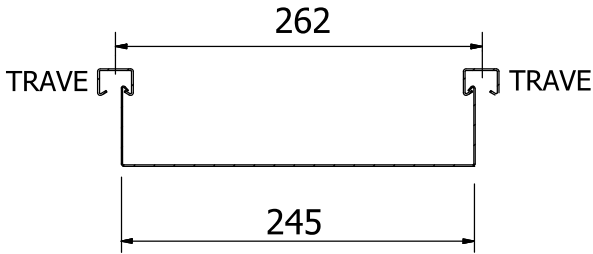
ACCESSORIES



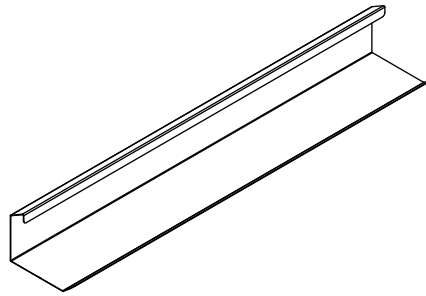
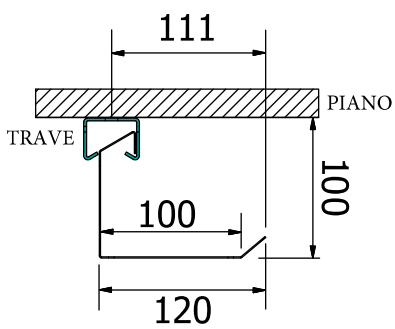
Pair of brackets for screen

158 010 00

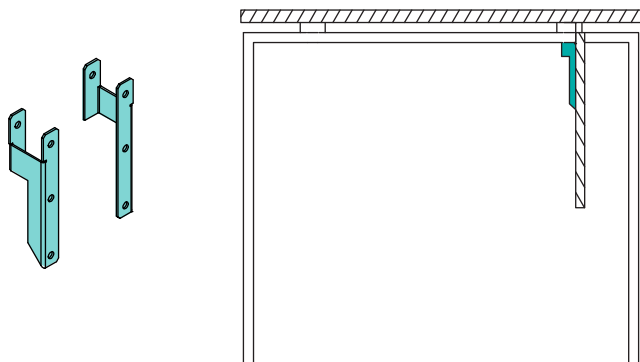




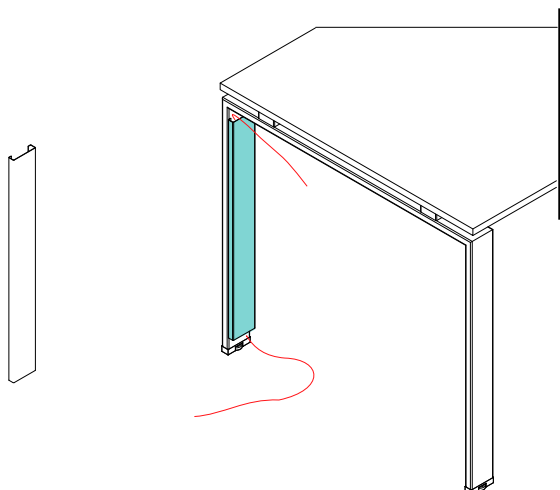
Electrified duct cable shared L800 hooked	
180 390 00	



Single electrification duct hooked to beams	
Duct L 700	154 118 00
Duct L 1350	156 267 00



Pair of brackets hooked to the beams for modesty panel sustain	
180 212 00	



Vertical electrification carter on stand leg	
153 081 00	

Electrification carter central leg	180 209 00
---------------------------------------	------------

