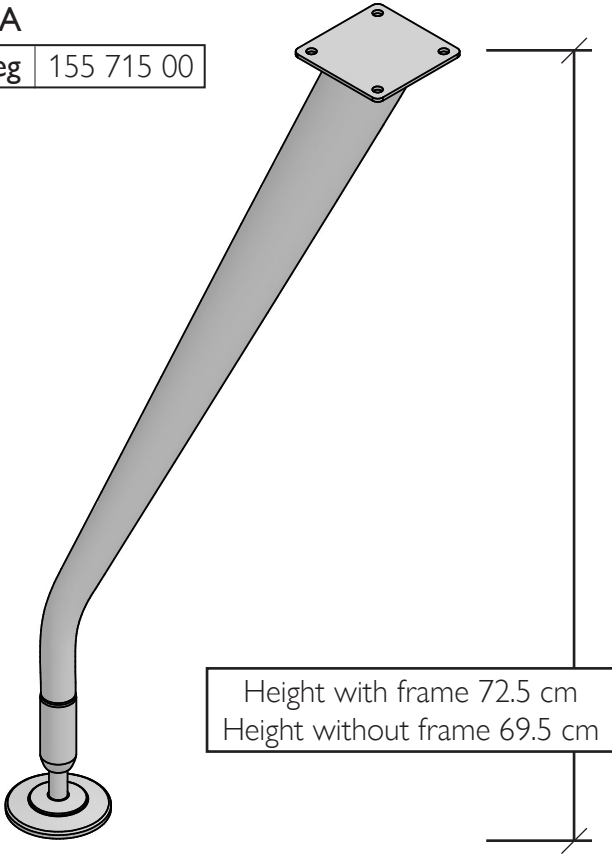


## SLOPED LEGS

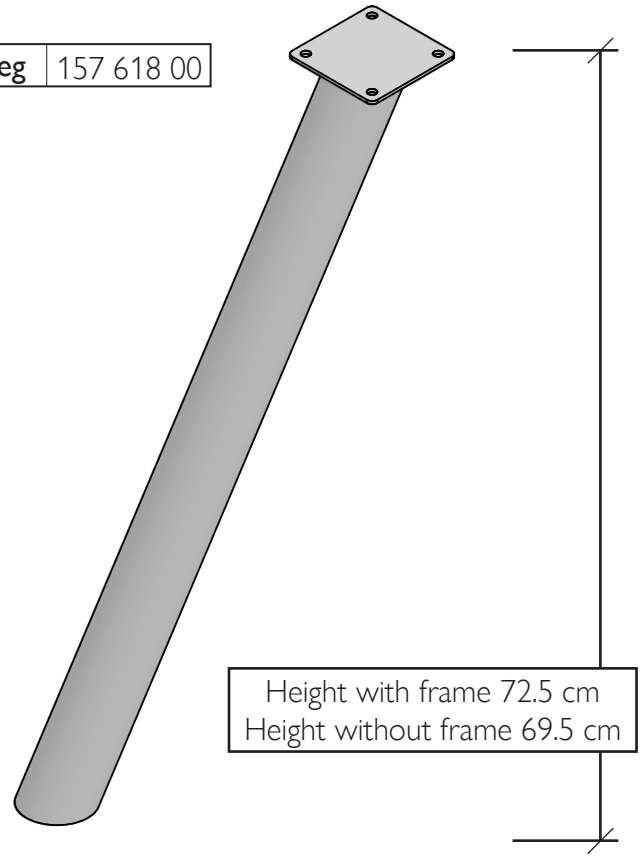
### CONICA

Pair of leg 155 715 00



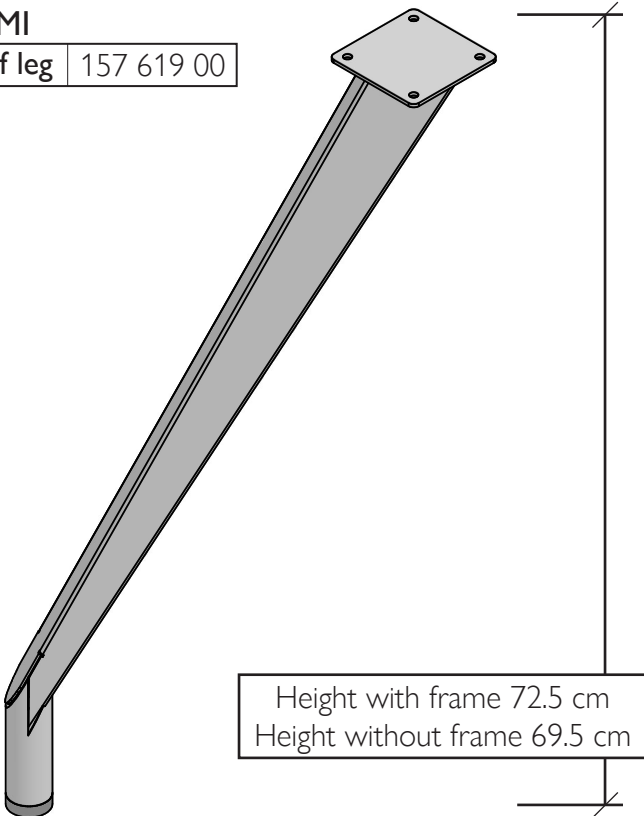
### CIRCLE

Pair of leg 157 618 00



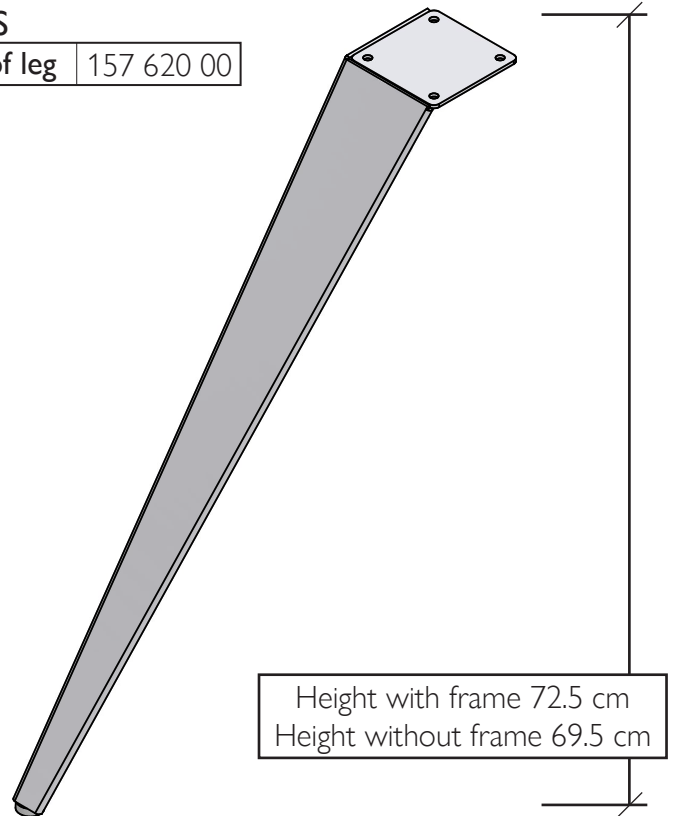
### TATAMI

Pair of leg 157 619 00



### OLOS

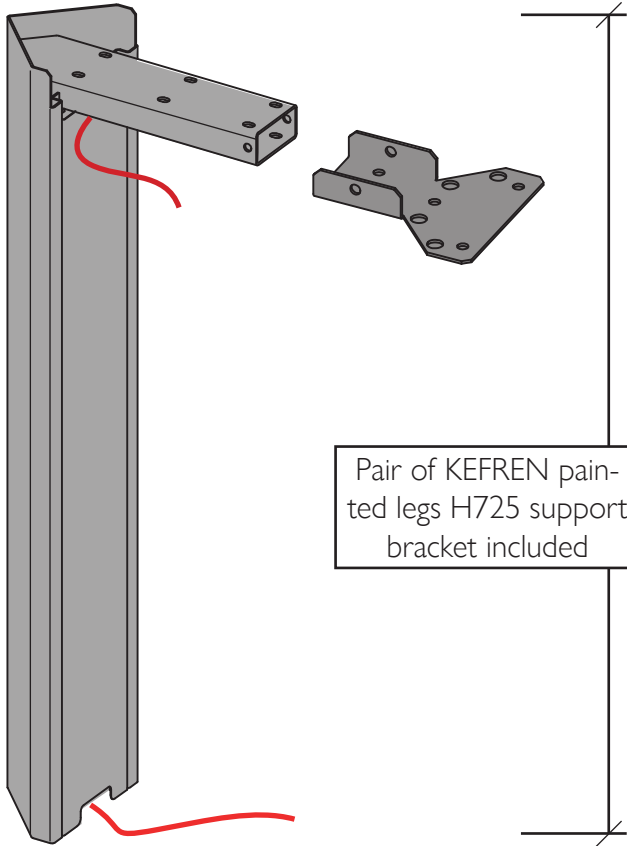
Pair of leg 157 620 00



## STRAIGHT LEGS (for plan 25mm)

### MAMMUT

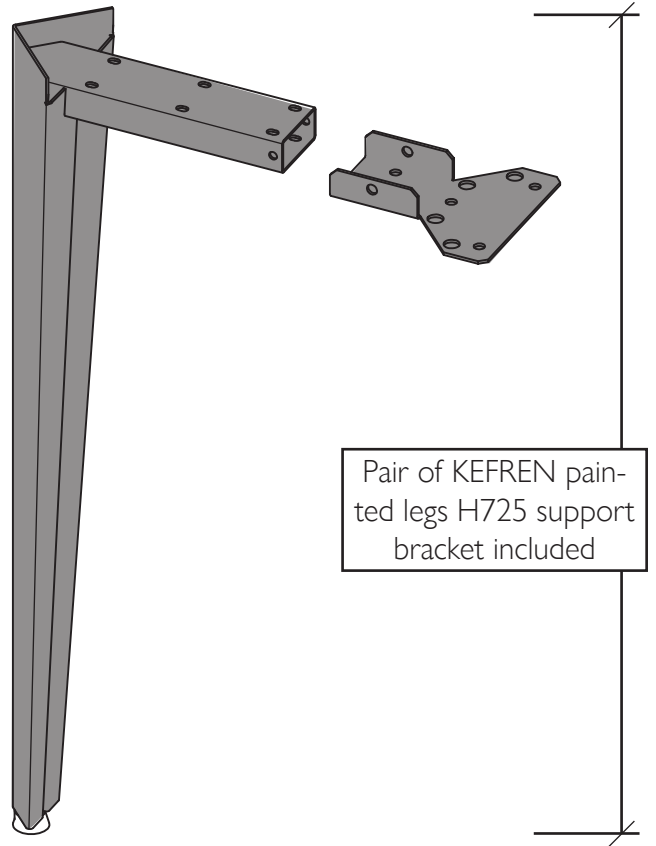
Pair of leg 157 621 00



Pair of KEFREN painted legs H725 support bracket included

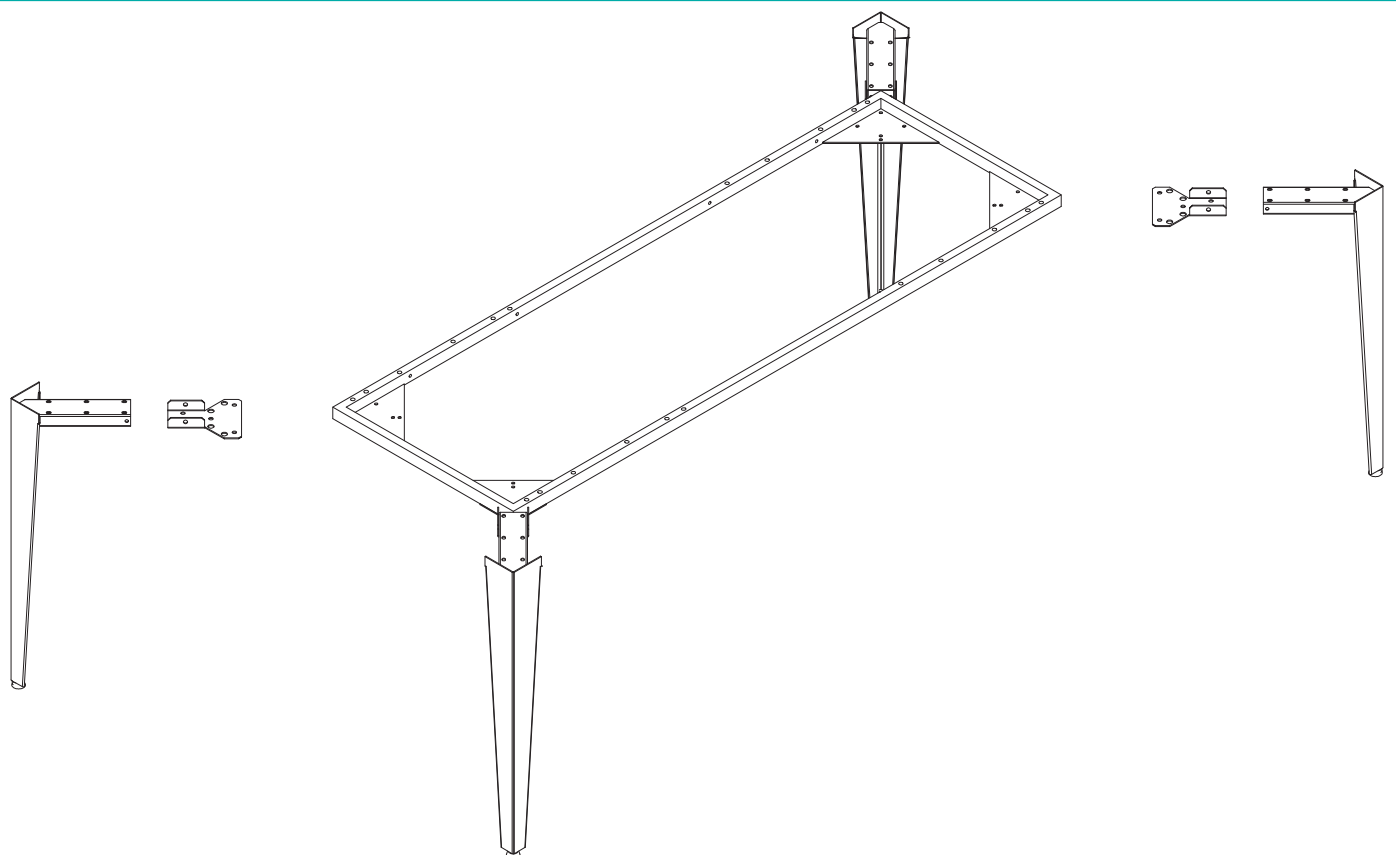
### KEFREN

Pair of leg 157 622 00



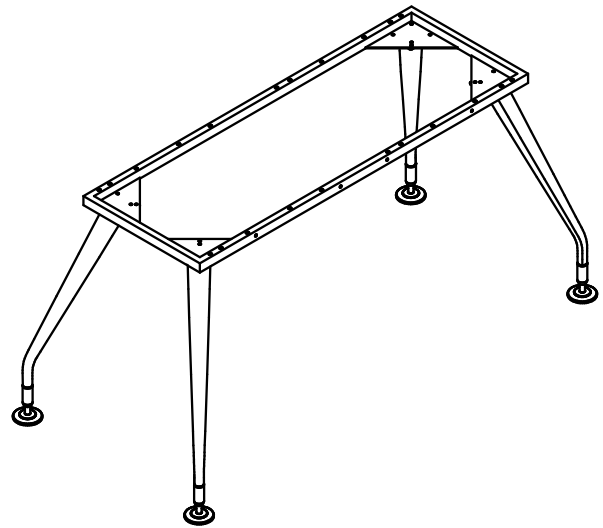
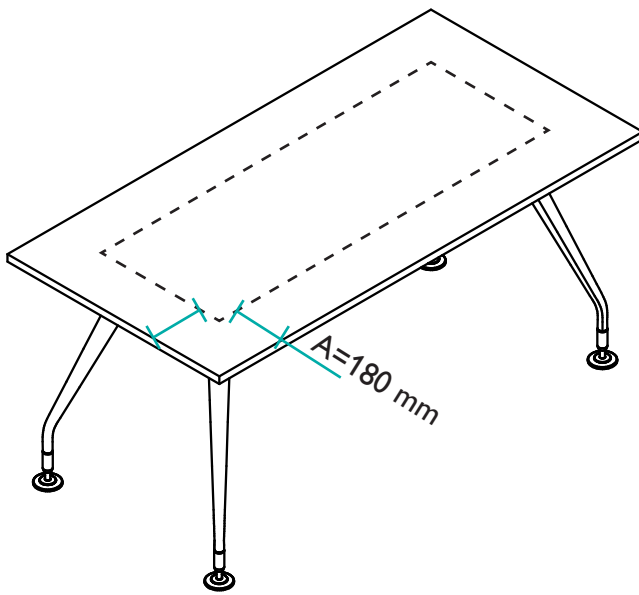
Pair of KEFREN painted legs H725 support bracket included

\* Removable carter for electrification



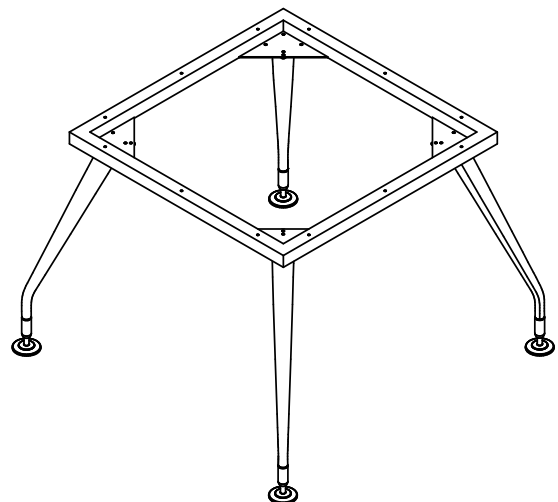
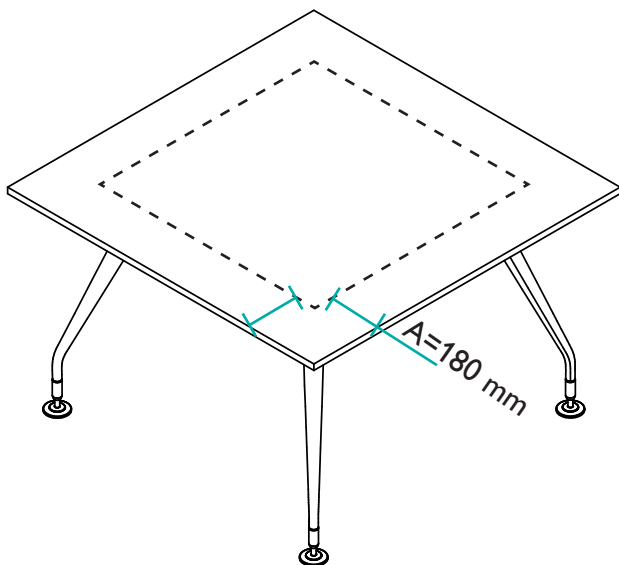
## RECTANGULAR FRAME (Structure 20x30)

Top dimension	Code	Top dimension	Code
800 x 1600	156 207 00	900 x 1600	180 302 00
800 x 1700	156 073 00	900 x 1800	180 019 00
800 x 1800	156 062 00	900 x 2000	180 018 00
800 x 2000	157 269 00	900 x 2200	157 433 00



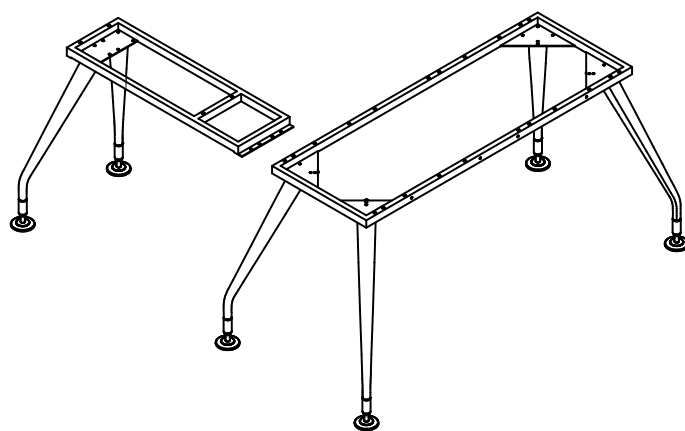
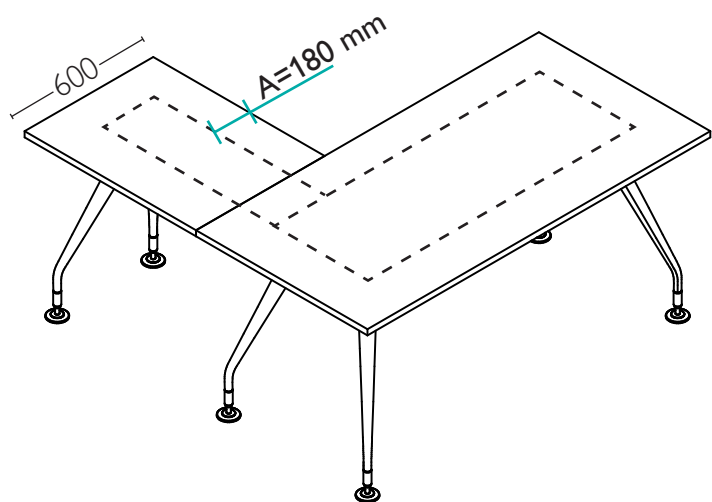
## SQUARE FRAME (Structure 20x30)

Top dimension	Code
1100 x 1100	180 080 00
1200 x 1200	155 892 00
1400 x 1400	157 605 00



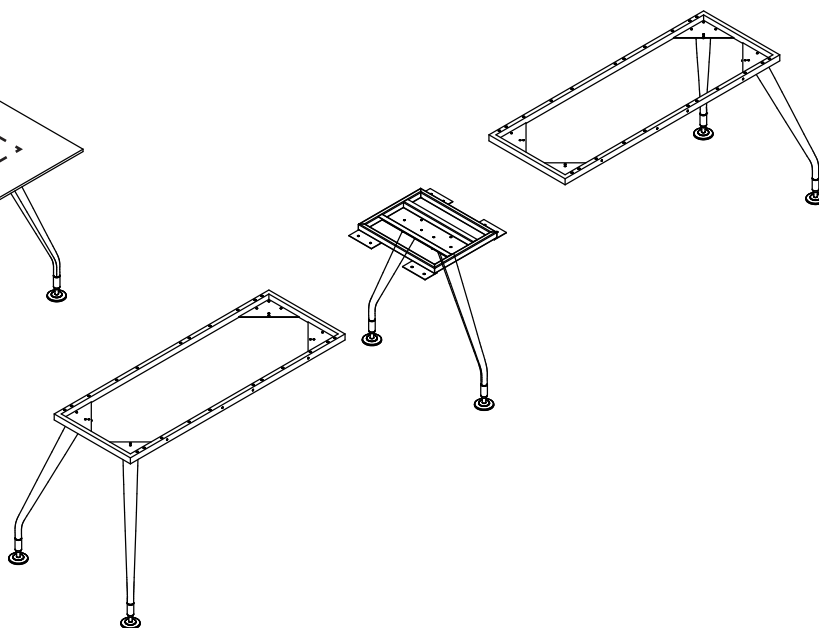
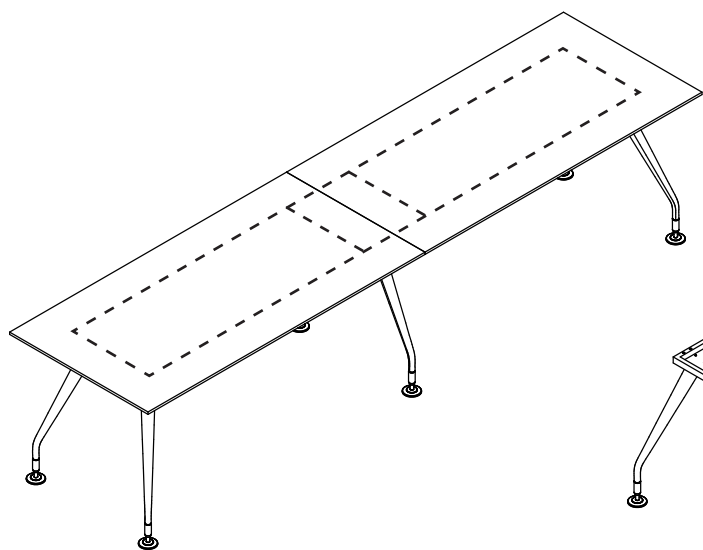
## FRAME FOR EXTENSION (Strutture 20x30)

Top dimension	Code
600 x 600	156 391 00
600 x 800	156 392 00
600 x 1000	180 017 00
600 x 1200	180 305 00



## JUNCTION FRAME ON THE SHORT SIDE (Strutture 20x30)

Frame	Code
Junction frame for top with depth 800	157 607 00
Junction frame for top with depth 900	157 608 00



## BENCH FRAME STRUCTURE (Strutture 20x30)

Frame	Code
Kit 2 legs + 2 bench frames	157 606 00
Duty Cable Basket	157 609 00

