

Perimeter structure for 18mm thickness built-in top composed of single items (legs, beams, central crossbars)

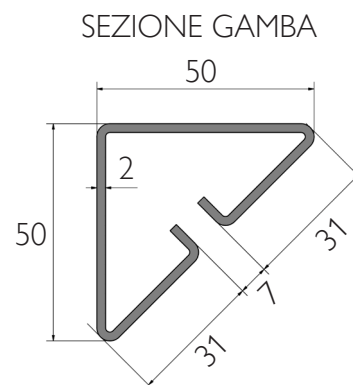
- 50x50mm triangular profile **Legs** realized in press-folded metal sheet
- h50mm **Perimeter beams** realized by coupling a 30x30 profile with an external press-folded metal sheet
- **Central beams** for stiffening realized in press-folded metal sheet
- **Finishings:** epoxy powder paint or chrome plating by galvanic process
- **Accessories:** PC stand, brackets for screen support on the three sides , cable ducts

## LEGS

156 106 00	Pair of legs
------------	--------------

## BEAMS

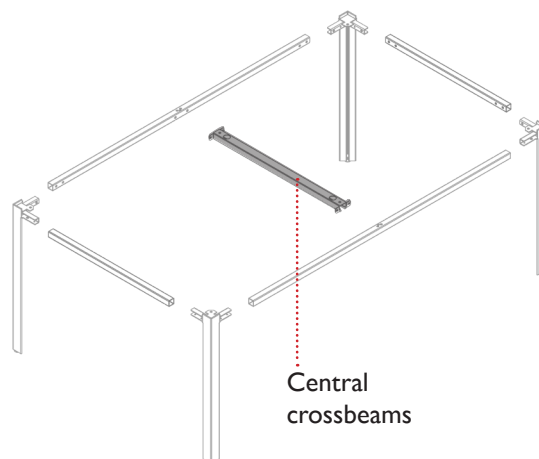
157 651 00	Pair of beams 60	157 650 00	Pair of beams 140
157 652 00	Pair of beams 80	156 119 00	Pair of beams 160
157 653 00	Pair of beams 90	156 918 00	Pair of beams 180
157 587 00	Pair of beams 100	156 313 00	Pair of beams 200
157 136 00	Pair of beams 120		



## CENTRAL CROSSBEAMS FOR SINGLE STATION

157 679 02	Central crossbeams for rectangular table 60
157 680 02	Central crossbeams for rectangular table 80
157 681 02	Central crossbeams for rectangular table 90
157 682 02	Central crossbeams for rectangular table 100
157 763 02	Central crossbeams for rectangular table 120

\* Item painted in embossed RAL 9006



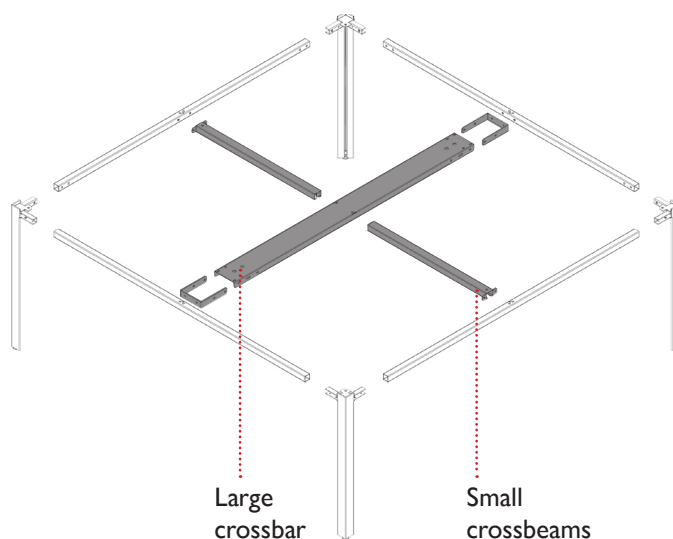
## CENTRAL CROSSBEAMS FOR DOUBLE STATION

157 655 02	Large crossbeams 120 + 2 brackets
157 656 02	Large crossbeams 140 + 2 brackets
157 657 02	Large crossbeams 160 + 2 brackets
157 658 02	Large crossbeams 180 + 2 brackets
157 659 02	Large crossbeams 200 + 2 brackets

\* Item painted in embossed RAL 9006

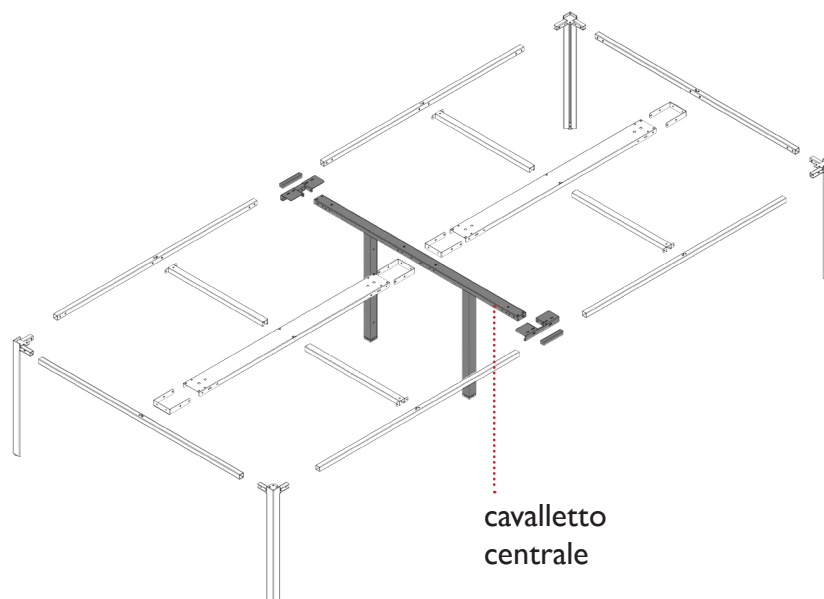
157 660 02	Pair of small beams 120
157 661 02	Pair of small beams 140
157 662 02	Pair of small beams 160
157 663 02	Pair of small beams 180
157 664 02	Pair of small beams 200

\* Item painted in embossed RAL 9006



## CENTRAL STAND

157 644 00	Central stand 120
157 674 00	Central stand 140
156 113 00	Central stand 160
157 675 00	Central stand 180
157 676 00	Central stand 200



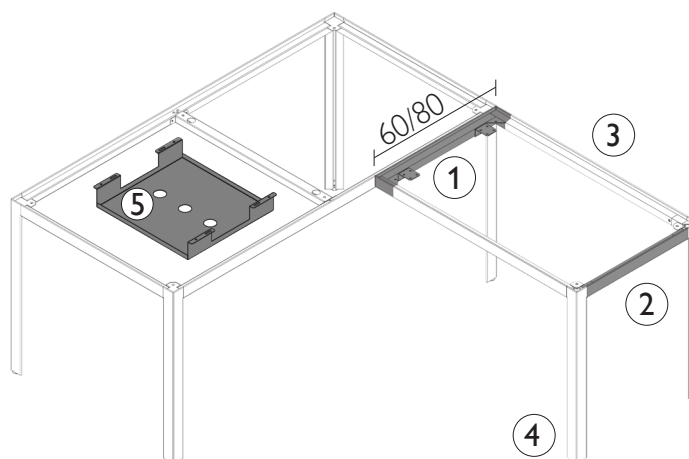
## SEMI EXTENSION AND SQUARE DUCT

①	157 817 00	Beam for extension 60 + brackets
②	157 683 00	Beams 60
③	see pag. 1	Pair of legs
④	see pag. 1	Pair of beams

①	158 164 00	Beam for extension 80 + brackets
②	157 684 00	Beams 80
③	see pag. 1	Pair of legs
④	see pag. 1	Pair of beams

⑤	157 673 00	Square duct L40
---	------------	-----------------

\* Ducts screwed to the top

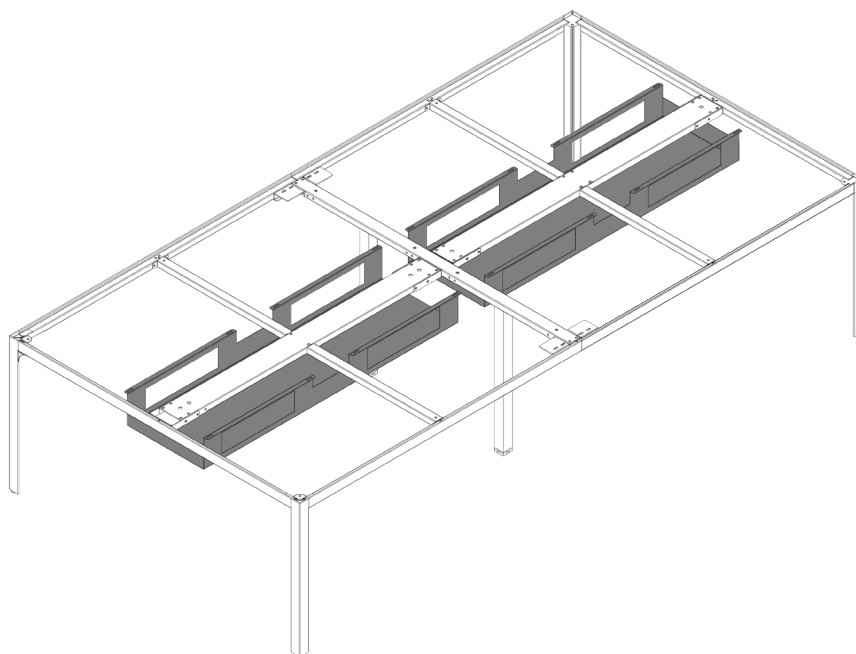


## CENTRAL DUCT

157 668 00	Central duct for 120
157 669 00	Central duct for 140
157 670 00	Central duct for 160
157 671 00	Central duct for 180
157 672 00	Central duct for 200

\* Ducts 200mm shorter than bench

\* Ducts screwed to the top

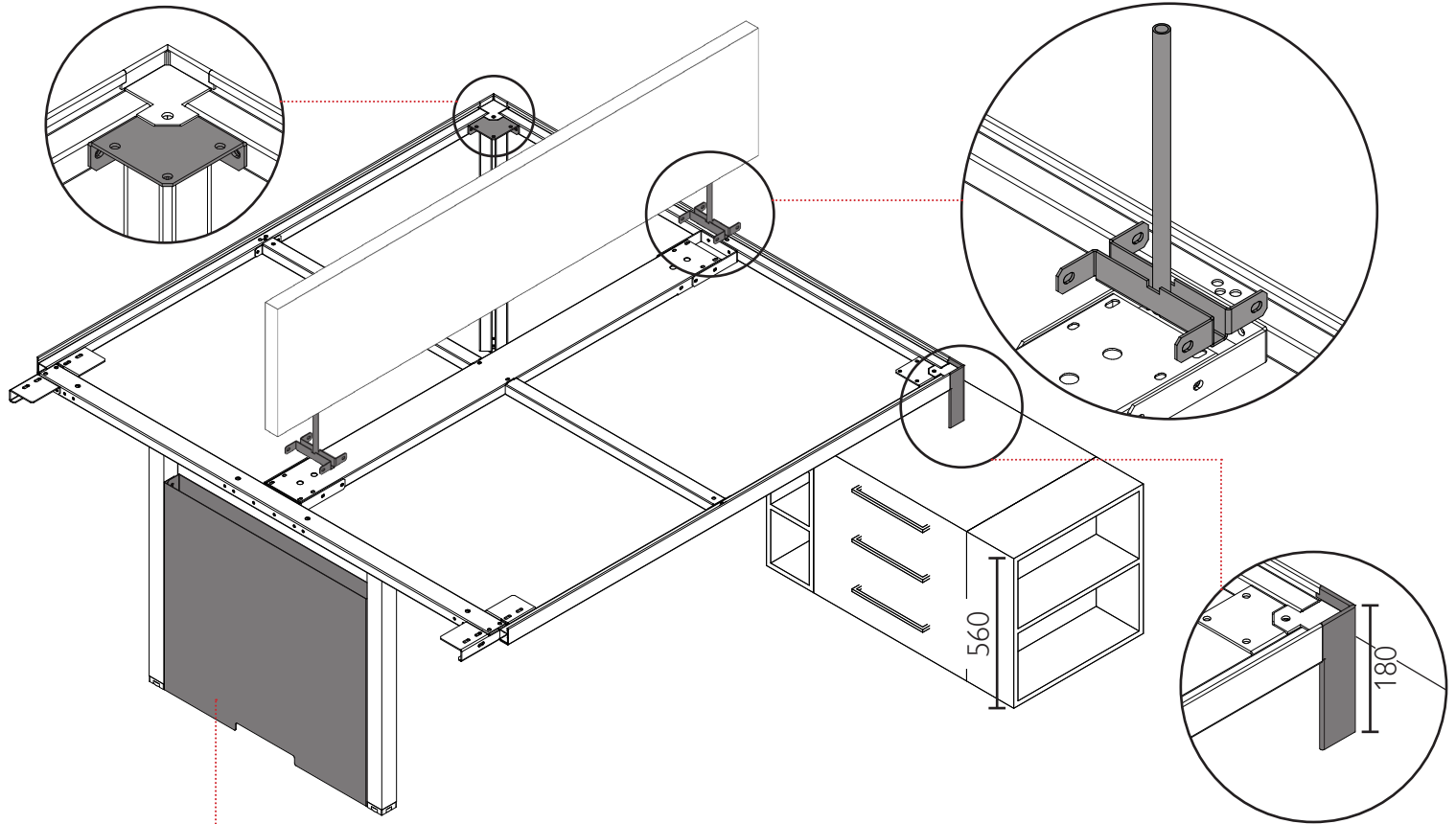


ACCESSORIES

157 677 00 4 brackets kit angular reinforcement

157 678 02 Pair of brackets for panel

\* Item painted in embossed RAL 9006



157 646 00 Pair of carters central stand

157 685 00 Support leg