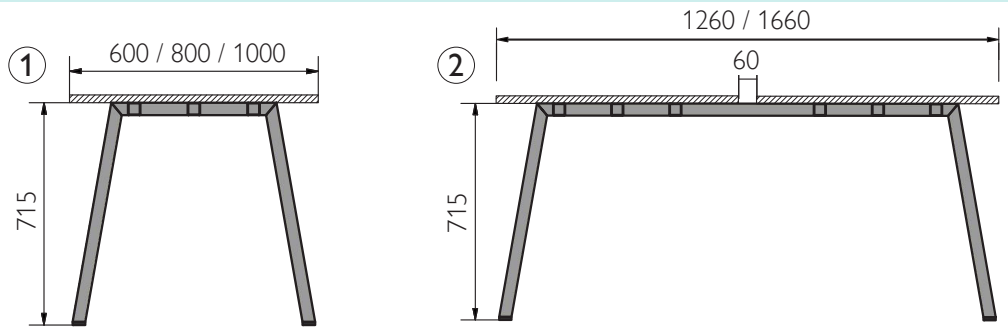


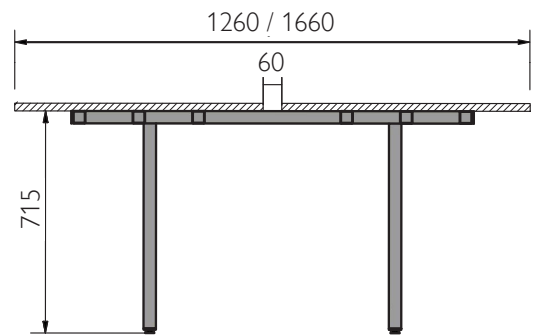
- Stand made of 40x40 tube
- 1200/2000 telescopic beam made of press folded metal sheet; electrifiable beam
- Ephossidic powder painting
- Top placed on frame

ABE STAND

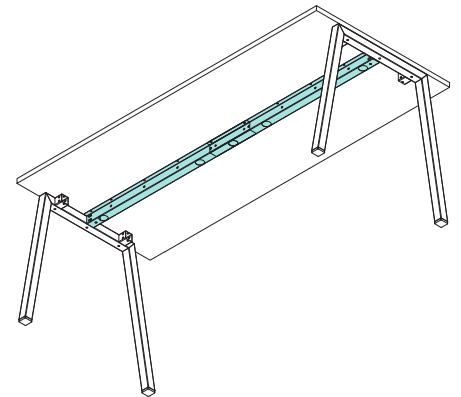
| | | |
|---|------------|----------------------|
| ① | 157 952 00 | Stand L600 |
| | 158 246 00 | Pair of stands L600 |
| | 157 953 00 | Pair of stands L800 |
| | 157 964 00 | Pair of stands L1000 |
| ② | 157 954 00 | Pair of stands L1260 |
| | 157 955 00 | Pair of stands L1660 |


CENTRAL STAND

| | |
|------------|---------------------|
| 157 956 00 | Central Stand L1260 |
| 157 957 00 | Central Stand L1660 |


BEAM

| | |
|------------|-------------------------|
| 157 958 00 | Telescopic Beam 120/200 |
|------------|-------------------------|


ACCESSORIES

| | | |
|---|------------|---|
| ① | 157 965 00 | KIT X Central Stad |
| ② | 158 010 00 | Pair of brackets Screen, Modesty |
| ③ | 158 016 00 | Carter |
| ④ | 157 959 00 | Lower Top Support + Pair of plates for ensemble |
| ⑤ | 157 200 00 | Pc holder |

