

Welded centered leg:

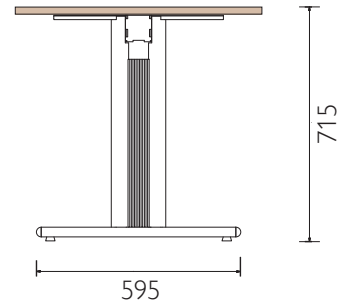
- foot made of 60x30 oval tube
- shaft and bracket made of press-folded sheet metal
- electrifiable telescopic beam made of press-folded sheet metal

Leg and beam are epoxy powder coated

Removable pvc carter for electrification

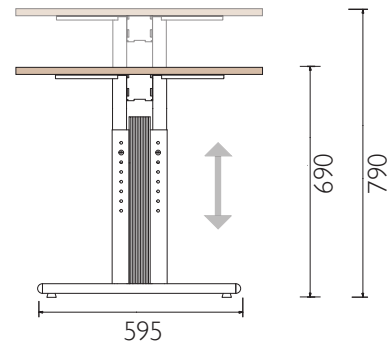
## BON LEG

190 200 00	Pair of centered legs
------------	-----------------------



## BON LEG ADJUSTABLE

158 129 00	Pair of center adjustable legs
------------	--------------------------------

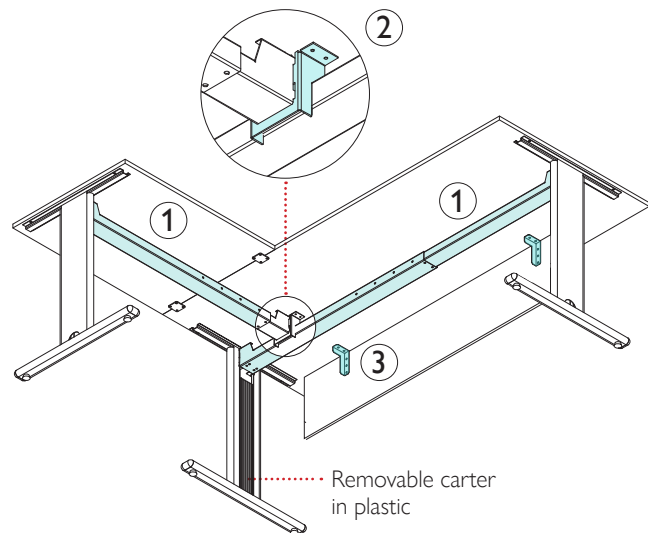


## BEAM AND ACCESSORIES

①	190 049 00	Telescopic beam 80-110
	190 012 00	Telescopic beam 120-180
	190 051 00	Telescopic beam 180-240

②	190 059 00	Beam extension connection
---	------------	---------------------------

③	158 010 00	Pair of brackets for modesty panel
---	------------	------------------------------------



④	155 915 00	Pair of plates 49x46
---	------------	----------------------

⑤	153 848 00	Lower top support for extension
---	------------	---------------------------------

⑥	157 200 00	Pc holder hooked to the top
---	------------	-----------------------------

