

Metal frame made of 3 sides and 2 shelves to be assembled by screws. (Wooden tops not provided)

The frame can be fixed on the wall to avoid falling.

Sides made in section tube 20x20mm with adjustable feet, epoxy powder paint.

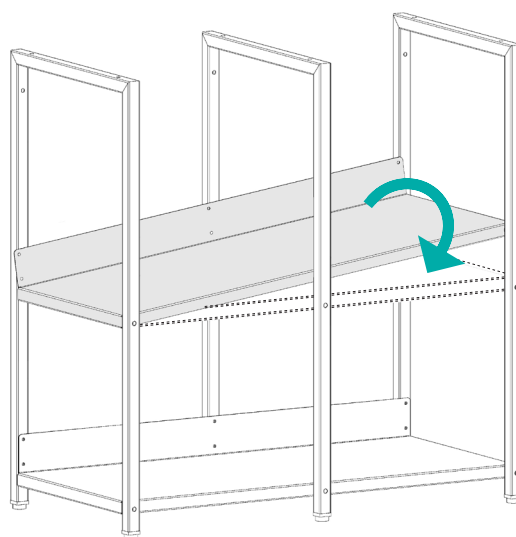
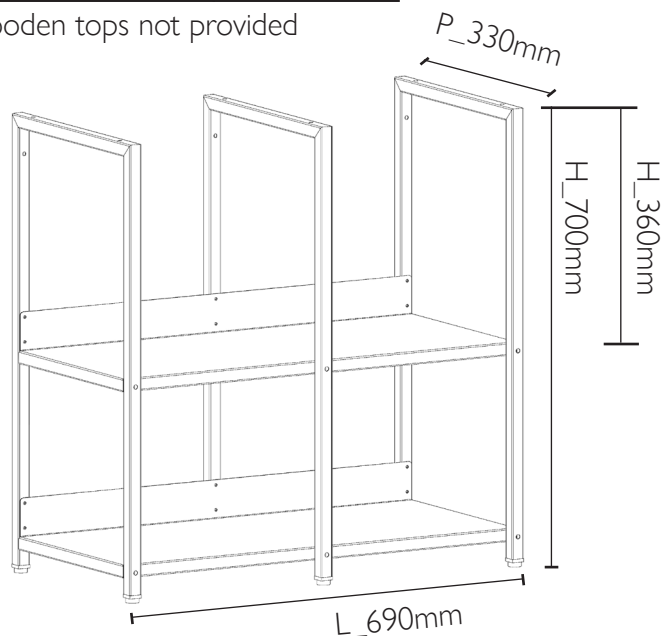
Shelves made in press-folded metal sheet with a rear border to avoid books and binders falling, A4, epoxy powder paint.

Packaging dimensions: W740xD390xH140mm

Packaging weight: 8,5 Kg

Boox L69 P35 H70	157 579 01
------------------	------------

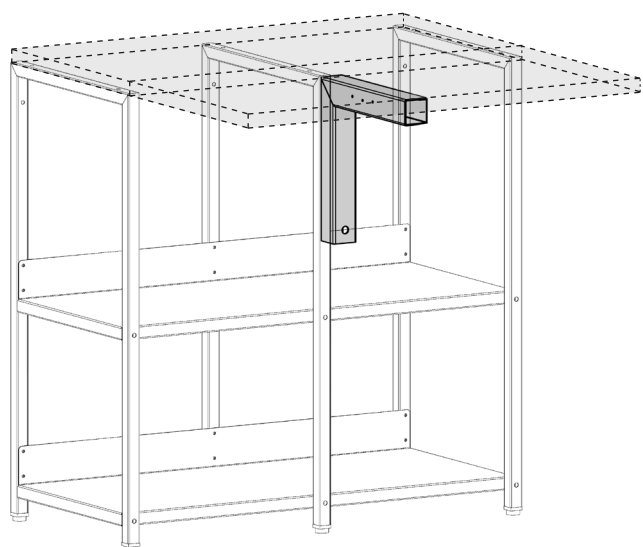
* Wooden tops not provided



Bracket for folding	157 579 01
---------------------	------------

* Wooden tops not provided

Open top



Close top

