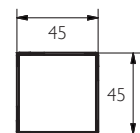
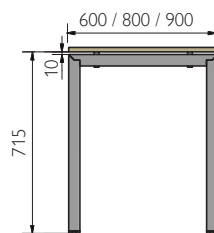


- BEAM: 60x20 tube section; thickness 1,5mm;
- FEET: adjustable feet matching with the stand color;
- STAND: made of a 45x45mm tube, 2mm thick in folding for single and bench structure
- TOP: Raised 10mm from the metal frame

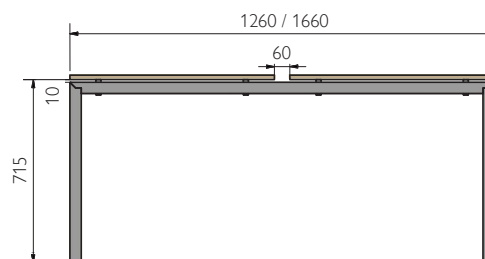


EDGE STAND

157 409 00	Stand Edge 600
157 405 00	Pair of stands Edge 800
157 406 00	Pair of stands Edge 900

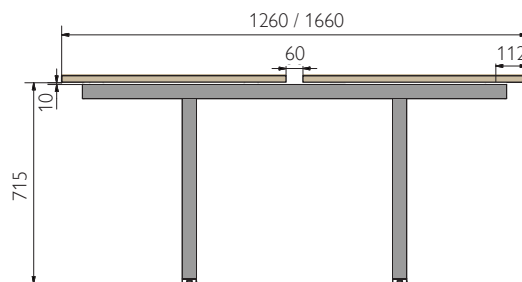


157 407 00	Pair of stands Edge 1260
157 408 00	Pair of stands Edge 1660



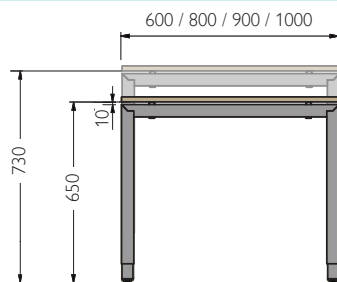
EDGE CENTRAL STAND

158 229 00	Edge central stand 1260
158 230 00	Edge central stand 1660



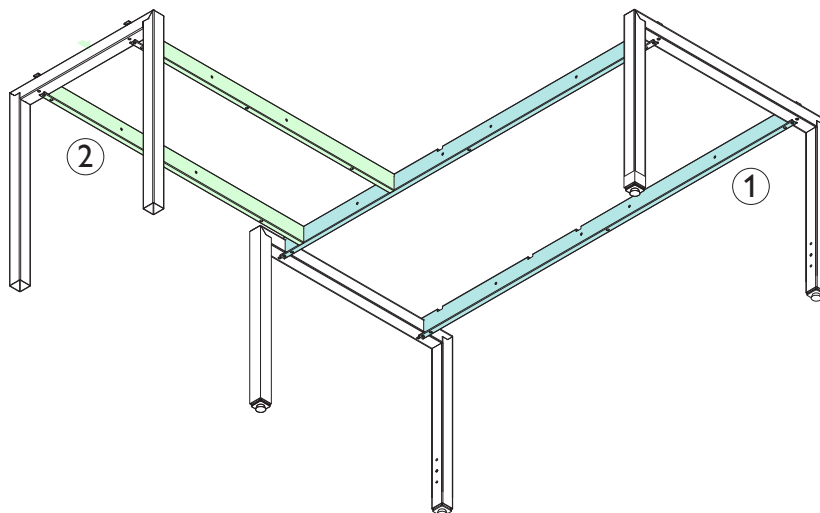
EDGE STAND ADJUSTABLE

157 633 00	Adjust. stands Edge 60
157 987 00	Pair of adjust. stands Edge 60
157 632 00	Pair of adjust. stands Edge 80
157 986 00	Pair of adjust. stands Edge 90
157 800 00	Pair of adjust. stands Edge 100



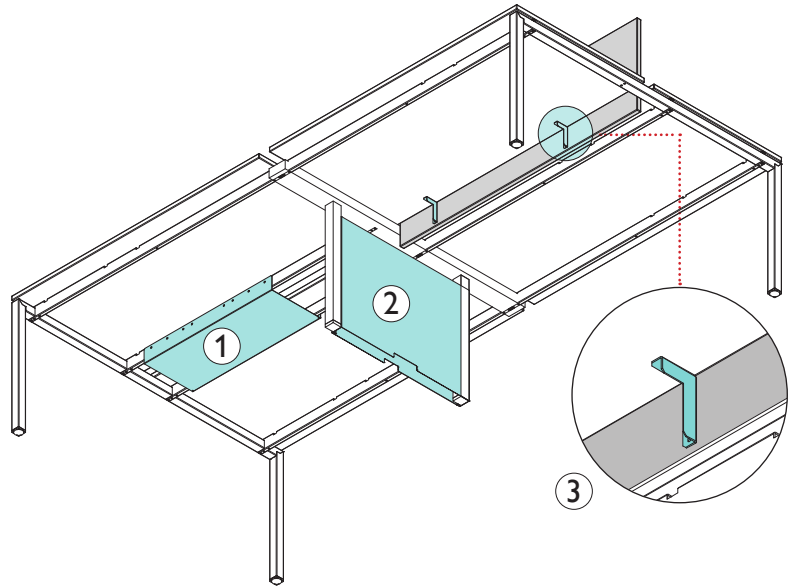
BEAMS

①	157 803 00	Pair of beams for top 1000
	158 159 00	Pair of beams for top 1200
	158 160 00	Pair of beams for top 1400
	157 442 00	Pair of beams for top 1600
	157 456 00	Pair of beams for top 1800
	157 641 00	Pair of beams for top 2000
②	157 634 00	Pair of beams for extension 800
	157 642 00	Pair of beams for extension 1000



ACCESSORIES

- | | | |
|---|------------|---|
| ① | 158 162 00 | Shared 75 cable duct for top of 1000/1200/1400 |
| | 158 161 00 | Shared 135 cable duct for top of 1000/1200/1400 |
| ② | 158 228 00 | Carter electrification on central leg |
| ③ | 158 010 00 | Pair of brackets for panel |



- | | | |
|---|------------|--|
| ④ | 157 636 00 | Vertical electrification carter on stand leg |
| ⑤ | 157 988 00 | Duct 75 for top 1000/1200/1400 |
| | 157 802 00 | Duct 135 for top 1600/1800/2000 |
| ⑥ | 157 200 00 | Pc holder hooked to the top |

