

HEIGHT ADJUSTABLE COMPLETE STRUCTURE WITH TELESCOPIC BEAM

(The telescopic frame fits to tops from L140/160/180/200, with depth L80/90).

Components:

- Electric legs section 70x70 n°2
- Metal Sheet Half Frame Thickness 3mm e 6mm n°2
- Metal Sheet Central Beam Thickness 3mm n°1
- Metal Sheet Desk Feet Thickness 3mm n°2

Accessories:

- Metal Sheet suspended PC Holder Thickness 1,5mm

Electric Components:

- 2 Channels Control Unit n°1
- Leg/control unit cable n°2
- Supply Cable n°1
- Control push button n°1

Structures available with following finishes:

- Ral 9006 (aluminium grey)
- Ral 9010 (white)
- Ral 7016 (anthracite)
- Ral 9005 (black)- Ral 7016 (anthracite)

Height:

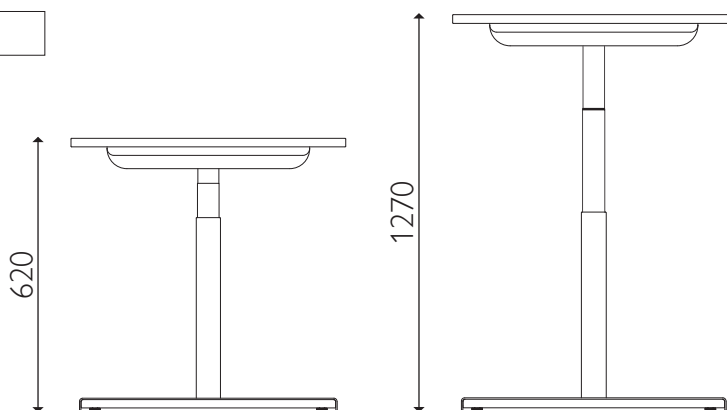
The electric legs have an excursion of 650mm, with lifting capacity of 40Kg each (80Kg for the whole structure), Completely lowered, the structure has a height of 620mm (top excluded), Highest height 1270mm (top excluded)

Control push button allows to save up to four positions of different height through specific proceeding and it can be hidden under the top due to its sled sliding.

The frame allows the placing of the control unit, of the structure wiring and also of the further parts (PC wiring, electrical transformers etc.).

DESK ELECTRA

155 937 00	Kit desk Electra 80/90x140/160/180/200
------------	--



BENCH ELECTRA

158 054 00	Kit Bench Electra 80x140/160/180/200
------------	--------------------------------------

158 055 00	Kit Bench Electra 90x140/160/180/200
------------	--------------------------------------

