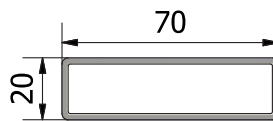


A program made up of bench stands, single frames and elements for support on container furniture.

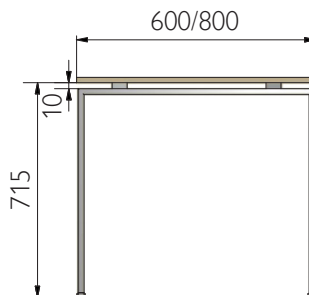
The frames can be completed by accessories for modesty panels assembling, screens and carters for vertical and horizontal ducting.

- STAND: 60x30mm section tube 2.0mm thickness
- BEAM: 2.0mm thickness press-folded sheet metal;
- FEET: adjustable feet matching with the stand color
- TOP: the desk top is suspended from the metal frame of 10mm

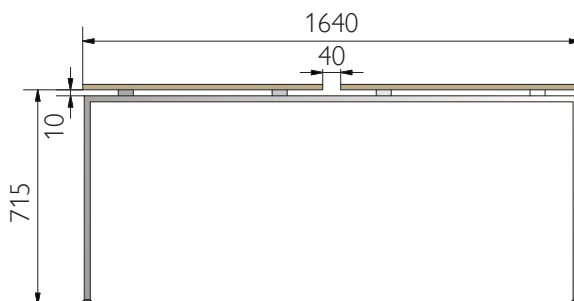


FLEXY_U

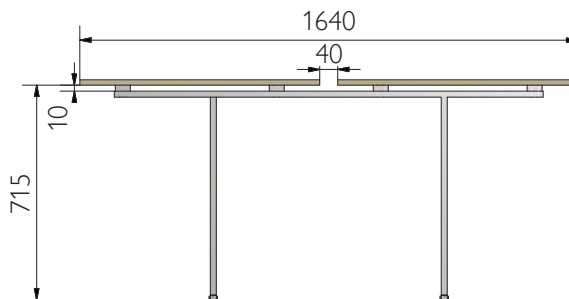
190 131 00	Stands 60
158 270 00	Pair of stands 60
190 159 00	Pair of stands 80



190 165 00	Pair of stands 164
------------	--------------------

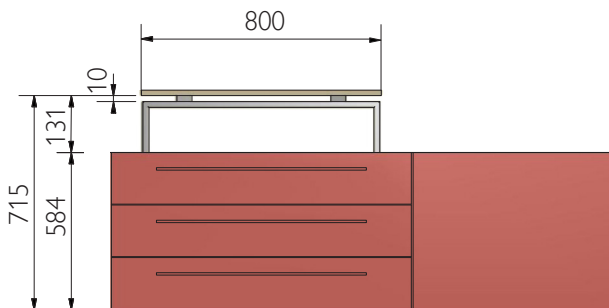


190 208 00	Central stand 164
------------	-------------------



STAND FOR SERVING FURNITURE

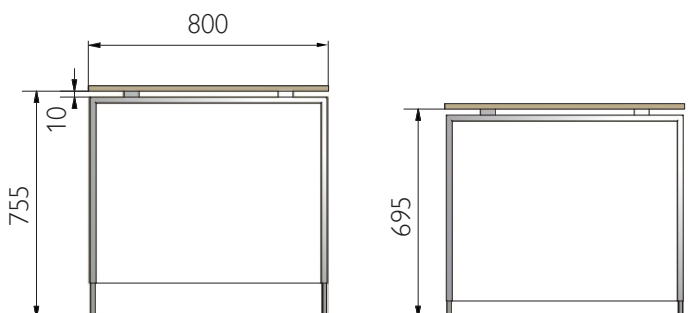
155 740 00	Stand for serving furniture 80
------------	--------------------------------



FLEXY_ADJUSTMENT

155 547 00	Pair of stands 80 adj
------------	-----------------------

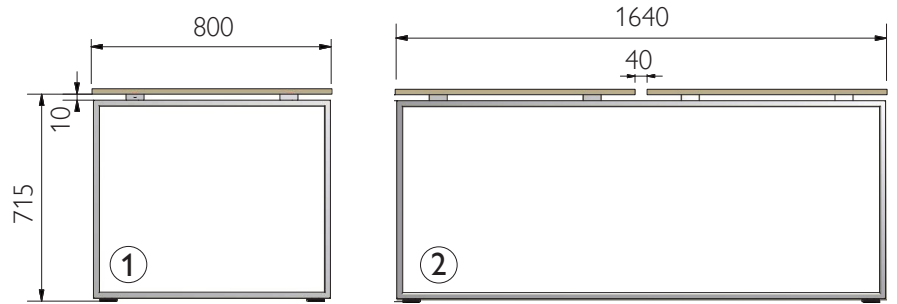
*Step adjustment 20mm



FLEXY_ANELLO

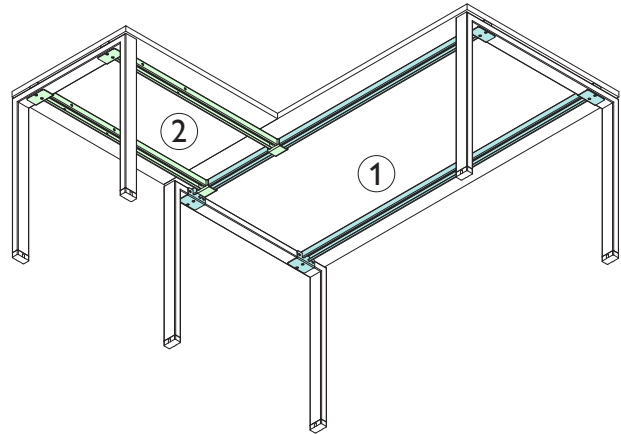
① 155 546 00 Anello stand 80

② 156 035 00 Anello stand 164


BEAMS

① 180 058 00 Pair of beams 800
 180 059 00 Pair of beams 1000
 180 023 00 Pair of beams 1200
 180 060 00 Pair of beams 1400
 180 024 00 Pair of beams 1600
 180 027 00 Pair of beams 1800
 180 061 00 Pair of beams 2000

② 180 025 00 Pair of beams with extension 800
 180 026 00 Pair of beams with extension 1000
 180 064 00 Pair of beams with extension 1200


ACCESSORIES

① Single electrification duct hooked to beams

154 118 00 Duct L700
 156 267 00 Duct L1350

② Pair of brackets hooked to the beams for modesty panel sustain

180 212 00

③ Vertical electrification carter on stand leg

155 471 00

④ 157 758 00 Pc holder

⑤ Electrified duct cable shared L800 hooked

180 390 00 Duct L800

⑥ Pair of brackets for screen

158 010 00

⑦ Electrification carter central leg

180 209 00

