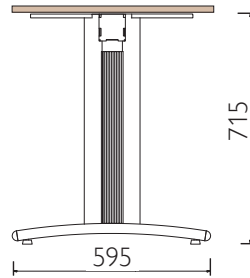


- Structure available with 2 different leg combinations with epoxy powder coating
- Welded leg with connection for telescopic beam made of press-folded sheet metal.
 - Welded leg with 2 M6 threaded holes on the shaft for modesty panel assembly.
 - Tube made of 60x30 oval tube.

FUTA CENTERED LEG

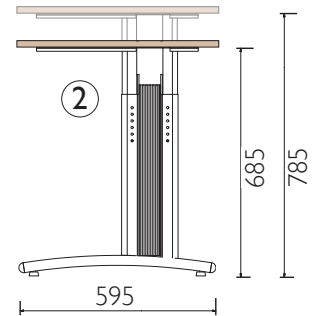
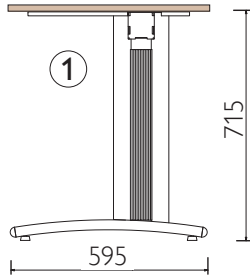
158 116 00	Pair of centered legs
------------	-----------------------



FUTA OFF-CENTERED LEG

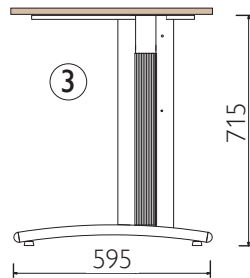
① 158 117 00	Pair of off-center legs
--------------	-------------------------

② 158 120 00	Pair of off-center adjust. legs
--------------	---------------------------------



③ 158 119 00	Pair of off-center legs for modesty-panel
--------------	---

* Modesty panel hooked to the leg



BEAM E ACCESSORIES

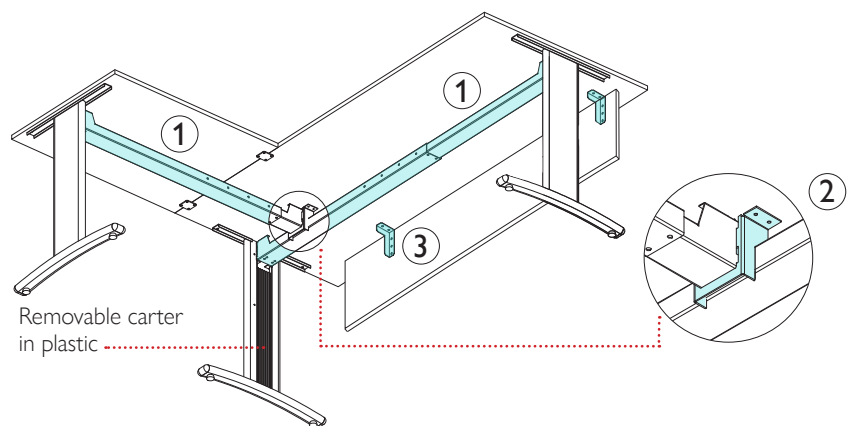
① 190 049 00	Telescopic beam 80-110
--------------	------------------------

190 012 00	Telescopic beam 120-180
------------	-------------------------

190 051 00	Telescopic beam 180-240
------------	-------------------------

② 190 059 00	Beam extension connection
--------------	---------------------------

③ 158 010 00	Pair of brackets for modesty panel
--------------	------------------------------------



④ 155 915 00	Pair of plates 49x46
--------------	----------------------

⑤ 153 848 00	Lower top support for extension
--------------	---------------------------------

⑥ 157 200 00	Pc holder hooked to the top
--------------	-----------------------------

