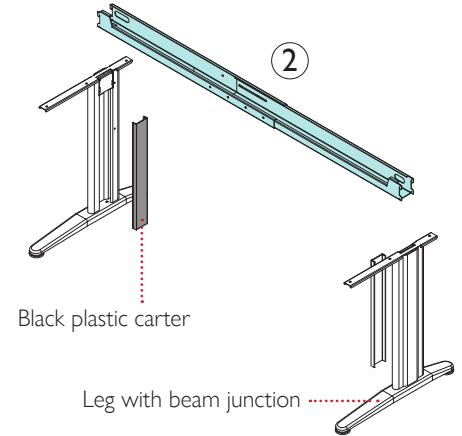
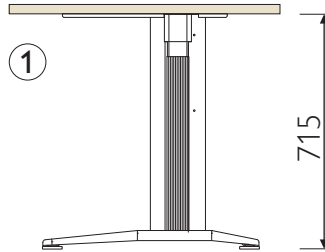


- Structure available with 2 different leg combinations with epoxy powder coating
- Welded leg with connection for telescopic beam made of press-folded sheet metal.
 - Welded leg with 2 M6 threaded holes on the shaft for modesty panel assembly.
 - Tube made of 60x30 oval tube.

PAIR OF OFF-CENTER JOINT LEGS WITH BEAMS JUNCTION

①	158 123 00	Pair of off-center legs with beams junction
②	190 049 00	Telescopic beam 80-110
	190 012 00	Telescopic beam 120-180
	190 051 00	Telescopic beam 180-240


PAIR OF OFF-CENTER JOINT LEGS WITH THREADS FOR MODESTY PANEL

158 125 00	Pair of legs with threads for modesty panel
------------	---

* Structure without beam

