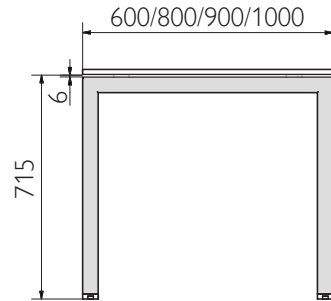


Stand made by 50x50 tube with 6mm thickness metal sheet higher brackets

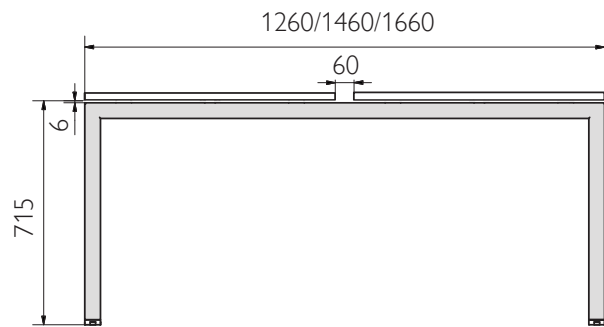
- Fixed beam made of press folded metal sheet
- Epossidic powder painting
- Top detached from the frame by 6mm
- Adjustable feet, color matched with stand

SCARABEO STAND U

154 642 00	Stand SCAR_U 60
154 601 00	Pair of stands SCAR_U 80
155 074 00	Pair of stands SCAR_U 90
155 405 00	Pair of stands SCAR_U 100

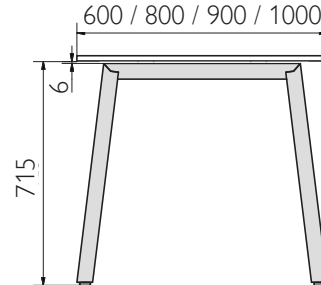


154 632 00	Pair of stands SCAR_U 126
155 443 00	Pair of stands SCAR_U 146
154 631 00	Pair of stands SCAR_U 166

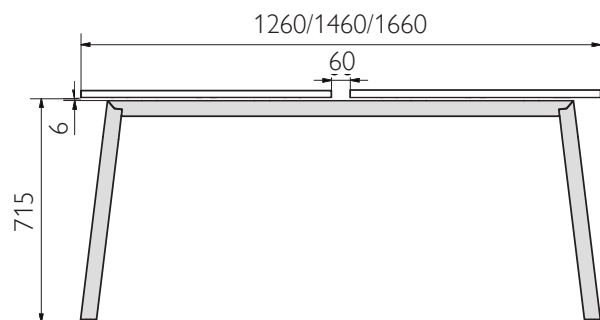


SCARABEO STAND A

157 837 00	Stand SCAR_A 60
157 828 00	Pair of stands SCAR_A 80
158 030 00	Pair of stands SCAR_A 90
157 829 00	Pair of stands SCAR_A 100

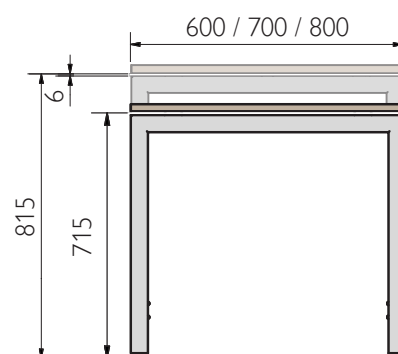


157 830 00	Pair of stands SCAR_A 126
157 831 00	Pair of stands SCAR_A 146
157 832 00	Pair of stands SCAR_A 166



SCARABEO ADJUSTABLE

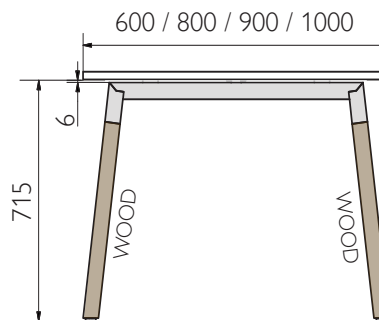
157 416 00	Stand 60 adj SCAR
157 250 00	Pair of stands 70 adj SCAR
155 844 00	Pair of stands 80 adj SCAR



SCARABEO A (WOOD)

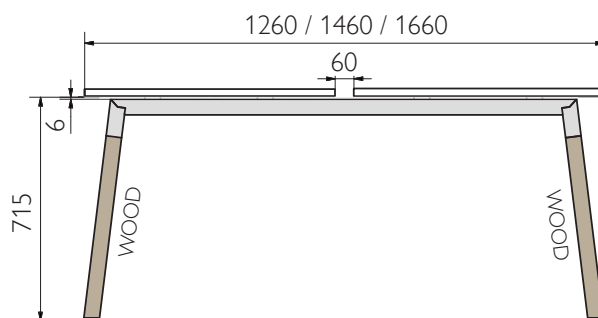
158 023 00	Stand SCAR_Wood 60
158 024 00	Pair of stands SCAR_Wood 80
158 025 00	Pair of stands SCAR_Wood 90
158 026 00	Pair of stands SCAR_Wood 100

* wooden leg not supplied



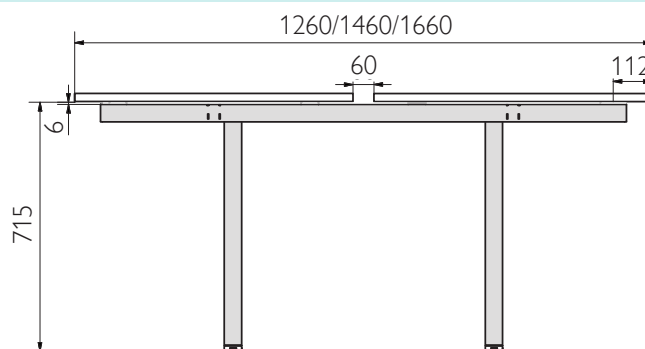
158 027 00	Pair of stands SCAR_Wood 126
158 028 00	Pair of stands SCAR_Wood 146
158 029 00	Pair of stands SCAR_Wood 166

* wooden leg not supplied

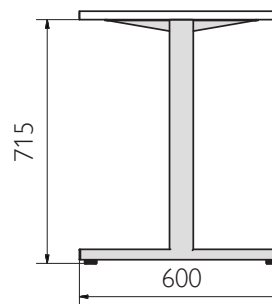

SCARABEO CENTRAL STAND

154 634 00	Central stand SCAR 126
157 191 00	Central stand SCAR 146
154 633 00	Central stand SCAR 166

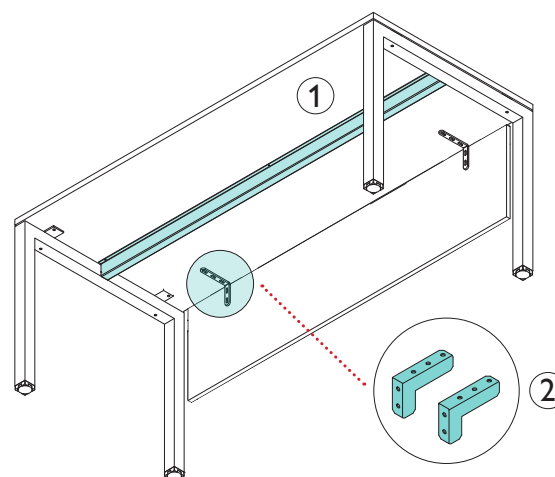
* Compatibile con Cav U/A/WOOD


LEG IKO

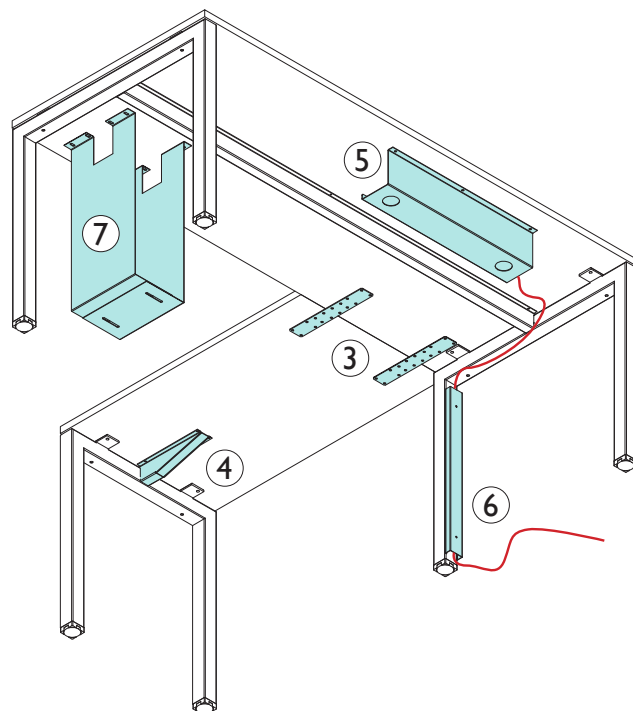
155 012 00	Pair of legs IKO
------------	------------------


BEAMS AND ACCESSORIES

①	158 138 00	Telescopic beam 120-200
	156 173 00	Beam (top 600)
	154 635 00	Beam (top 800)
	154 636 00	Beam (top 1000)
	154 602 00	Beam (top 1200)
	154 603 00	Beam (top 1400)
	154 604 00	Beam (top 1600)
	154 629 00	Beam (top 1800)
	154 637 00	Beam (top 2000)
	154 932 00	Beam (top 2200)
②	158 010 00	Pair of brackets Screen/Modesty



③	158 058 00	Pair of plates for ensemble
④	112 239 00	Lower Top Support
⑤	154 669 00	Duct L60 for singol work station
	156 128 00	Duct L118 for singol work station
	156 015 00	Duct L138 for singol work station
	156 016 00	Duct L158 for singol work station
⑥	154 019 00	Carter electrification on stand
⑦	157 200 00	Pc holder hooked to the top



⑧	157 207 00	Pair of brackets for pannel S24
	154 649 00	Pair of brackets for pannel S18
⑨	157 654 00	Carter electrification on central
⑩	153 973 00	Duct L60 for bench
	157 947 00	Duct L120 for bench
	155 868 00	Duct L140 for bench

