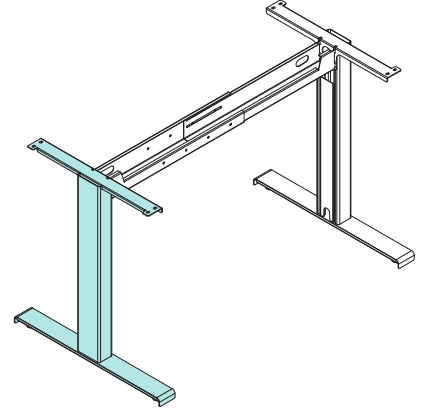
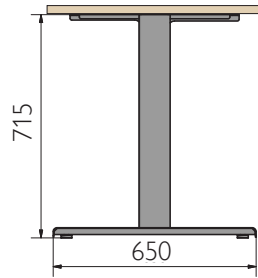


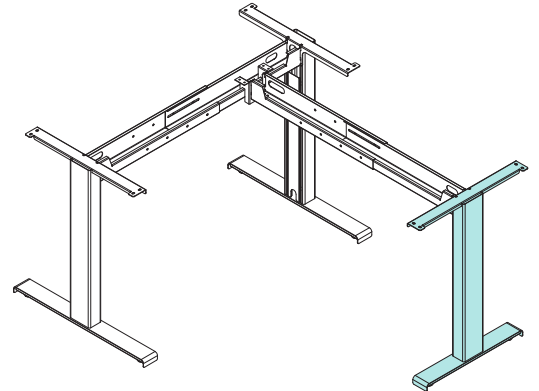
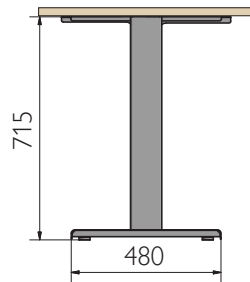
- Centered leg and extension made of foot side and bracket all welded
- Foot, side, bracket and carter made of press-folded sheet metal
- Telescopic ductable beams for structures of different sizes
- Removable metal carter for the internal cables passage
- Epoxy powder paint

TERMINAL LEGS

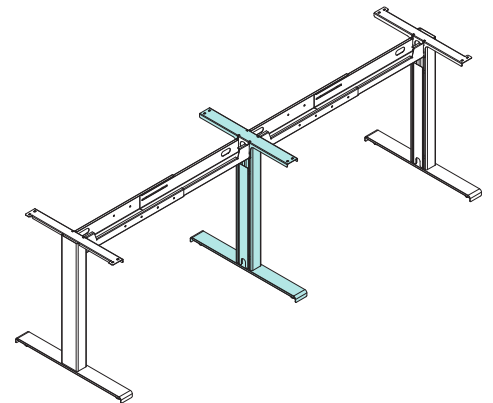
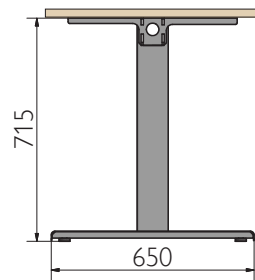
155 721 00	Terminal leg L80
155 636 00	Pair of terminal legs L80



155 637 00	Terminal leg L60
------------	------------------

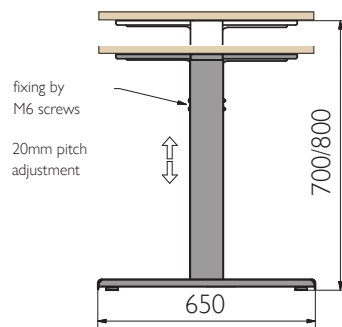


155 717 00	Middle leg
------------	------------



HEIGHT ADJUSTABLE LEG

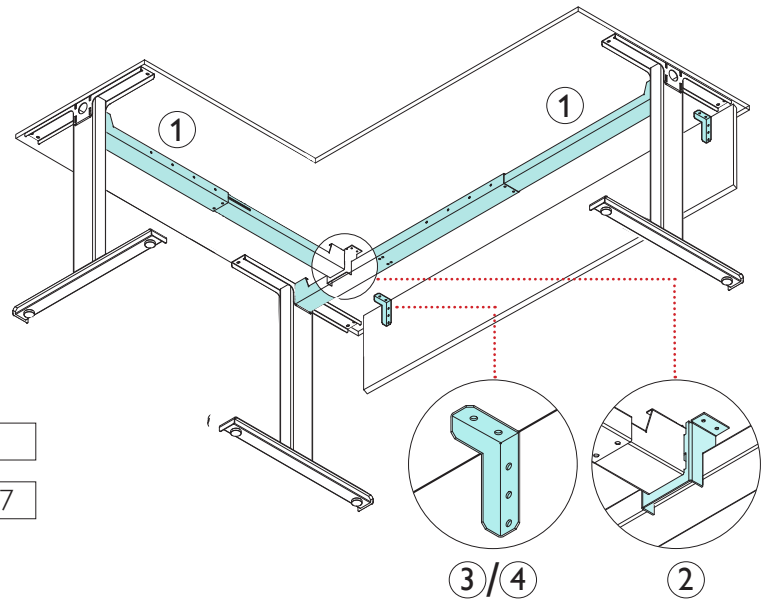
155 722 00	Height adjustable TERMINAL LEG H70-80
155 720 00	Height adjustable MIDDLE LEG H70-80



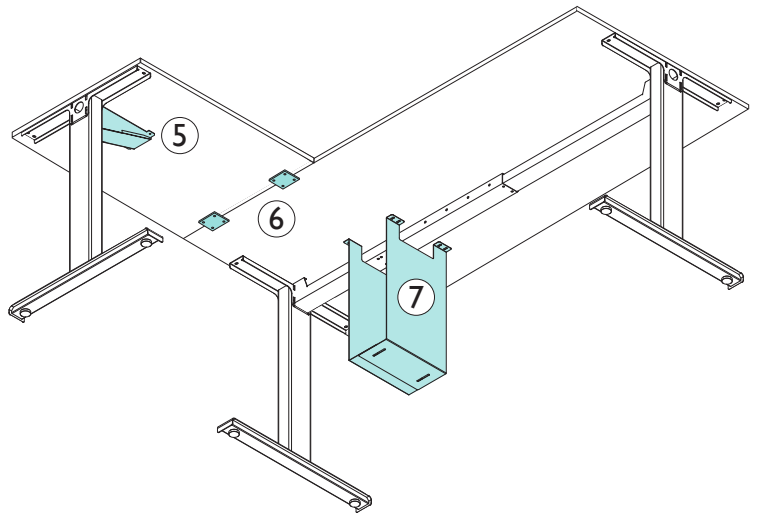
TELESCOPIC BEAM AND ACCESSORIES

- | | | |
|---|------------|------------------------------------|
| ① | 112 241 00 | Telescopic beam 80/120 |
| | 112 240 00 | Telescopic beam 140/200 |
| | 112 064 00 | Telescopic beam 140/240 |
| ② | 112 243 00 | Bracket for extension beam hooking |

- | | | |
|---|------------|--------------------------------------------|
| ③ | 158 010 00 | Pair of brackets for Modesty Panel 65x107 |
| ④ | 112 251 00 | Pair of brackets for Modesty Panel 166x217 |



- | | | |
|---|------------|-------------------------|
| ⑤ | 112 258 00 | Lower Top Support |
| ⑥ | 155 915 00 | Pair of plates 49X46 mm |
| ⑦ | 157 200 00 | Hanging PC holder |



- | | | |
|---|------------|-----------------------------|
| ⑧ | 118 753 00 | Ø 80 Column for workstation |
|---|------------|-----------------------------|

