

A program made up of bench stands, single structures.

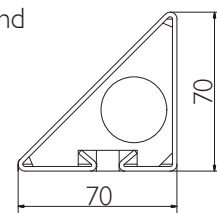
The structures can be completed by accessories for modesty panels assembling, screens and carters for vertical and horizontal ducting.

The structure is made with a press-folded sheet metal profile with a triangular shape, 2.0mm thick.

The desk top is suspended from the metal structure of 10mm.

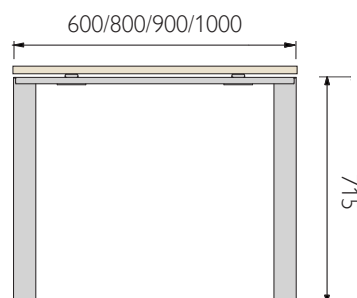
- BEAM: 2.0mm thick press-folded sheet metal;

- BEAM HEAD COVER: matching with the stand color

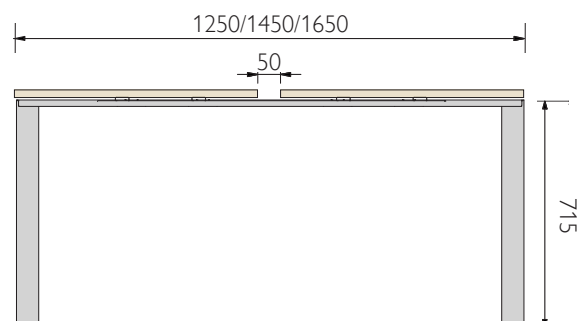


STAND WAVE

158 103 00	Stand 60
158 102 00	Pair of stands 60
158 105 00	Pair of stands 80
158 106 00	Pair of stands 90
158 107 00	Pair of stands 100

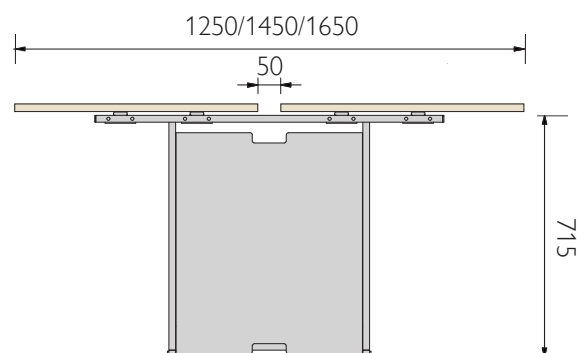


158 112 00	Pair of stands 125
158 113 00	Pair of stands 145
158 114 00	Pair of stands 165



CENTRAL STAND FOR BENCH

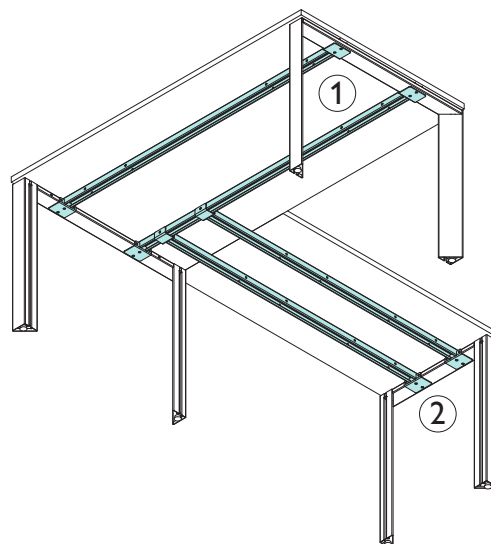
157 101 00	Central stand 125
157 102 00	Central stand 145
157 103 00	Central stand 165



BEAMS

①	157 112 00	Pair of beams 800
	157 113 00	Pair of beams 1000
	157 114 00	Pair of beams 1200
	157 115 00	Pair of beams 1400
	157 116 00	Pair of beams 1600
	157 117 00	Pair of beams 1800
	157 118 00	Pair of beams 2000

②	157 121 00	Pair of beams with extension 800
	157 122 00	Pair of beams with extension 1000
	157 123 00	Pair of beams with extension 1200

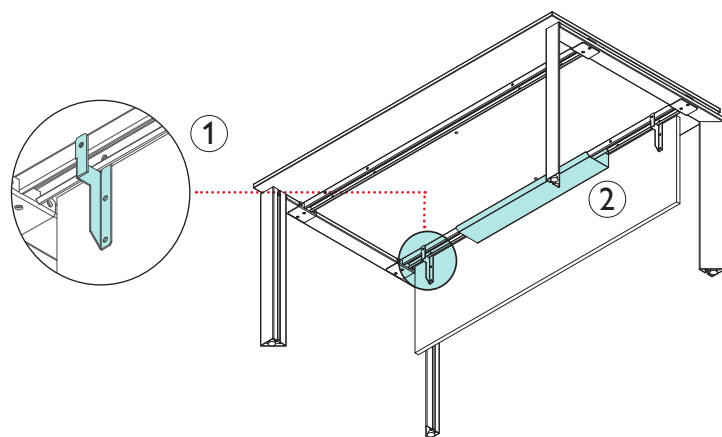


ACCESSORI

① 157 132 00 Pair of brackets hooked to the beams for modesty panel sustain

② Single electrification duct hooked to beams

157 125 00	Canala L 700
157 126 00	Canala L 1350



③ 158 010 00 Pair of brackets for screen sustain

④ Electrified duct cable shared hooked

157 127 00	Bench duct for top 120
157 128 00	Bench duct for top 140
157 129 00	Bench duct for top 160
157 130 00	Bench duct for top 180
157 131 00	Bench duct for top 200

