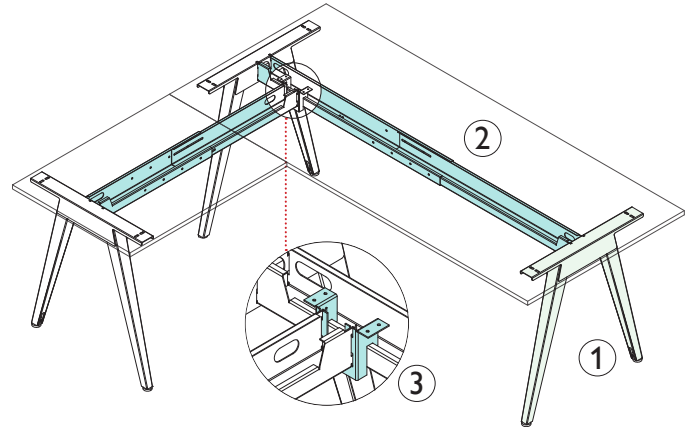


- Desk for office furniture made of 2 press-folded sheet metal stands 2mm thick.
- Telescopic beam 800/2000 made of press-folded sheet metal; the beam can be electrified.
- Top placed on the frame
- Available accessories: bracket for end shelf support, bracket for extension, brackets for modesty panel and for 4-ways

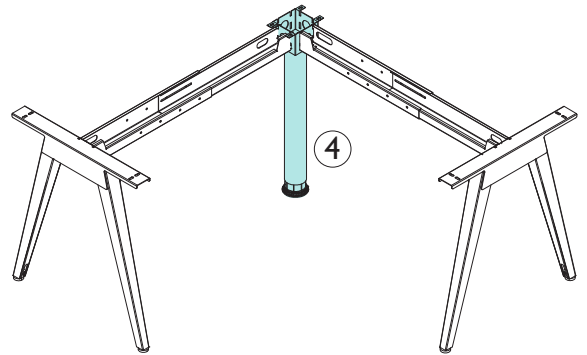
ABE STAND / TELESCOPIC BEAM

①	158 137 00	Pair of stans ABE P800
	154 137 00	Pair of stans ABE P600
②	112 241 00	Telescopic beam 80/120
	112 240 00	Telescopic beam 140/200
	112 064 00	Telescopic beam 140/240
③	112 243 00	Beam extension connection



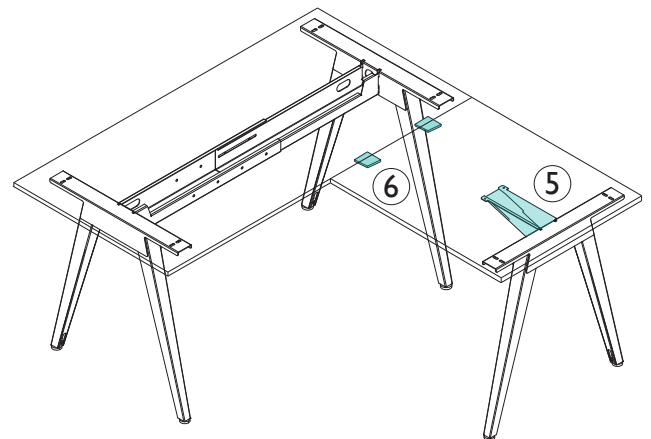
ACCESSORIES

④	118 753 00	Ø 80 Column for workstation
---	------------	-----------------------------



⑤	112 258 00	Lower Top Support
---	------------	-------------------

⑥	155 915 00	Pair of plates 49X46
---	------------	----------------------



⑦	158 010 00	Pair of brackets for Modesty Panel 65x107
---	------------	---

⑧	112 251 00	Pair of brackets for Modesty Panel 166x217
---	------------	--

⑨	157 200 00	Hanging PC holder
---	------------	-------------------

