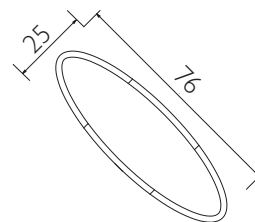
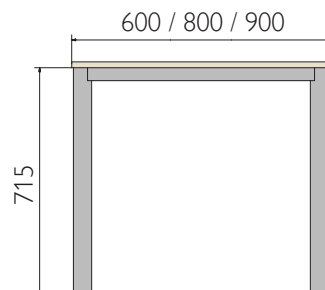


- STAND: upper crossbeam 40X30 tube, elliptical tube legs 76x25
- BEAM: 2.0 mm thick press-folded sheet metal with 4 mm thick welded plates
- FEET: adjustable feet
- TOP: placed on the stand
- PAINTING: epoxy powder paint



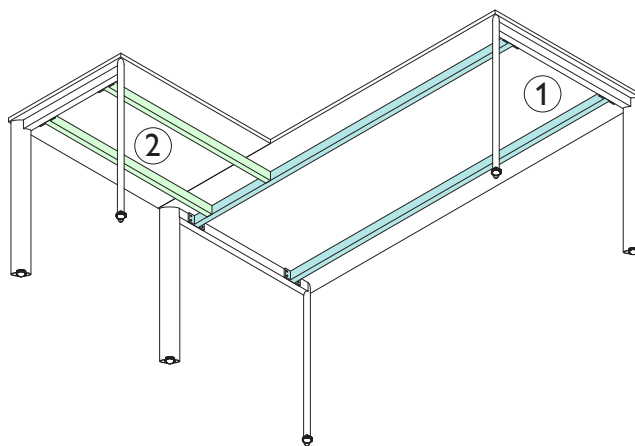
ELIOS STAND

155 707 00	Pair of stands ELIOS 60
156 452 00	Pair of stands ELIOS 80
155 701 00	Pair of stands ELIOS 90



BEAMS

①	155 888 00	Pair of beams 120
	158 091 00	Pair of beams 140
	158 092 00	Pair of beams 160
	155 889 00	Pair of beams 180
	155 890 00	Pair of beams 200
②	157 156 00	Pair of beams with extension 80



ACCESSORIES

①	153 668 00	Pair of brackets for modesty panel sustain
---	------------	--

*hooked to the beam

②	153 196 00	Duct for plan 600
	153 197 00	Duct for plan 800
	153 198 00	Duct for plan 1000
	153 199 00	Duct for plan 1200
	153 200 00	Duct for plan 1400
	153 201 00	Duct for plan 1600
	153 202 00	Duct for plan 1800
③	157 203 00	Duct for plan 2000

*hooked to the beam

③	157 200 00	Pc holder
---	------------	-----------

