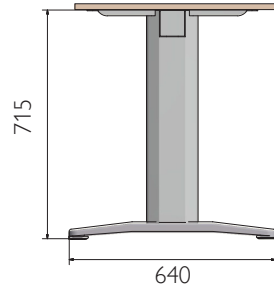


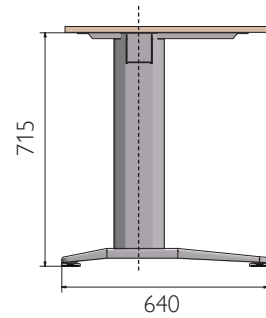
- Centered and off-center leg and extension made of foot, side, bracket and trunk (leg disassembled in the packaging)
- Foot, side, bracket and trunk made of press-folded sheet metal
- Telescopic beams for frames of different sizes
- Removable metal carter for internal cables passage.
- Epoxy powder paint

LEG H 715

106 704 00	Pair of CENTERED GP legs Top 80
------------	---------------------------------

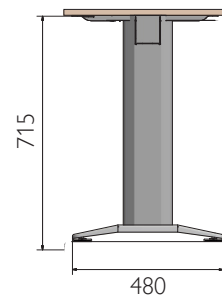


154 739 00	Pair of OFF-CENTER GP legs Top 80
------------	-----------------------------------



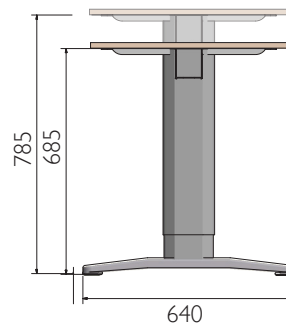
106 705 00	Pair of CENTERED GP legs Top 60
------------	---------------------------------

158 195 00	Pair of OFF-CENTER GP legs Top 60
------------	-----------------------------------

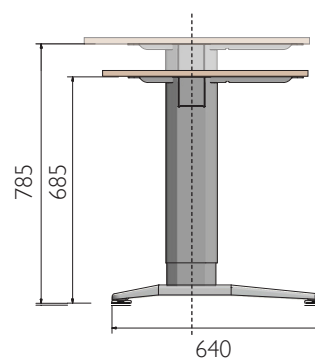


ADJUSTABLE GP LEG

158 122 00	Pair of CENTERED Adjustable GP legs
------------	-------------------------------------



158 118 00	Pair of OFF-CENTER Adjustable GP legs
------------	---------------------------------------



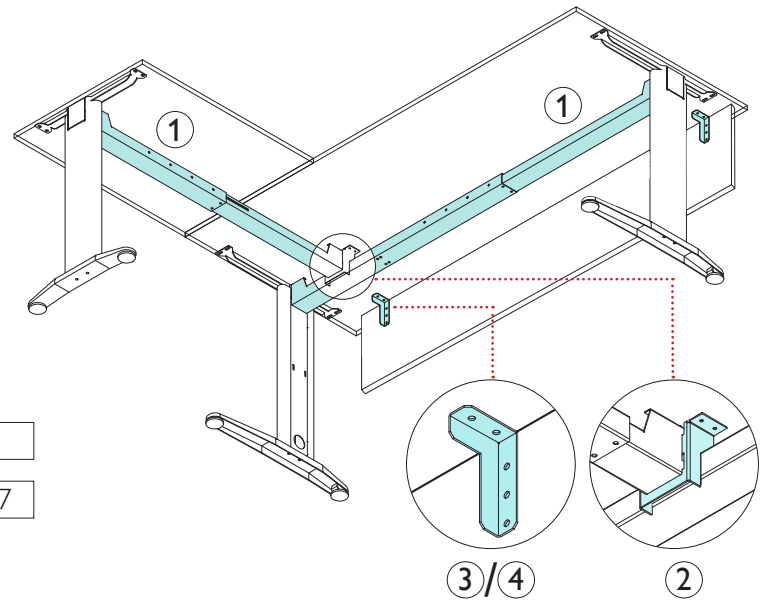
BEAM E ACCESSORIES

①	112 241 00	Telescopic beam 80-110
	112 240 00	Telescopic beam 140-200
	112 064 00	Telescopic beam 140-240

②	112 243 00	Beam extension connection
---	------------	---------------------------

③	158 010 00	Pair of brackets for Modesty Panel 65x107
---	------------	---

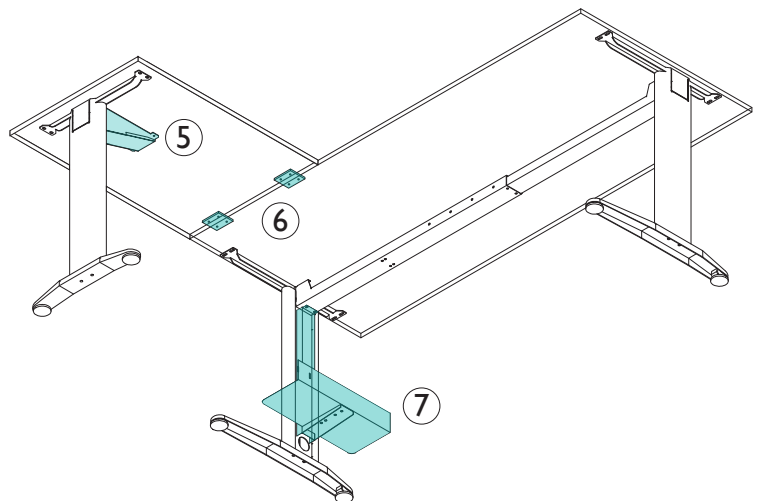
④	112 251 00	Pair of brackets for Modesty Panel 166x217
---	------------	--



⑤	112 258 00	Lower Top Support
---	------------	-------------------

⑥	155 915 00	Pair of plates 49X46 mm
---	------------	-------------------------

⑦	151 020 00	PC holder
---	------------	-----------



⑧	118 753 00	Ø 80 Column for workstation
---	------------	-----------------------------

