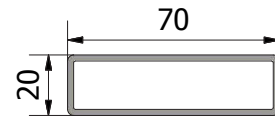
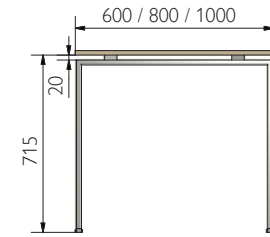


- STAND: 70x20mm section tube
- BEAM: 2.0mm thick press-folded sheet metal;
- ADJUSTABLE FEET AND HEAD COVER matching with the stand color

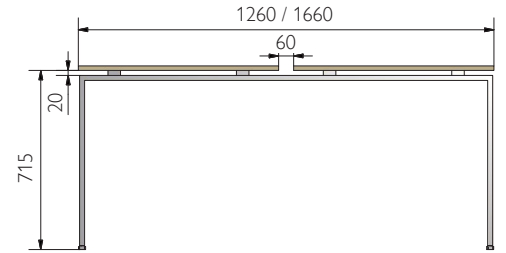


RX 5 STAND U

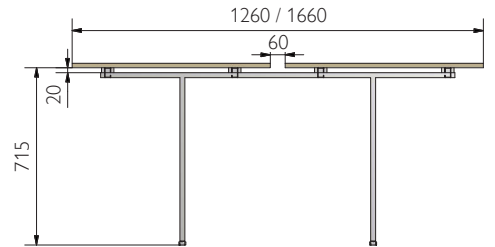
106 672 00	Stand 60
158 077 00	Pair of Stands 60
158 068 00	Pair of Stands 80
158 067 00	Pair of Stands 100



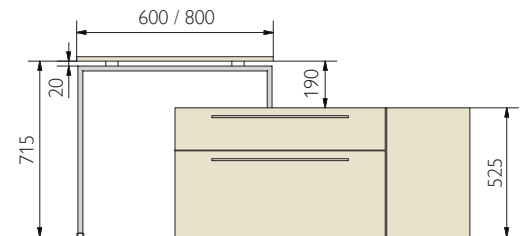
158 069 00	Pair of Stands 126
154 445 00	Pair of Stands 166



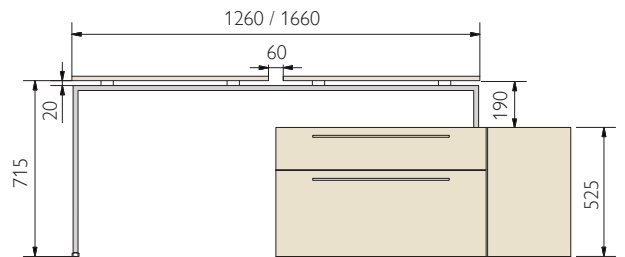
154 044 00	Central stand 126
154 045 00	Central stand 166



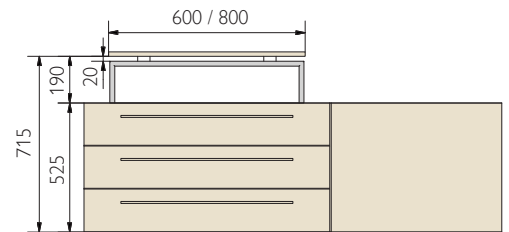
106 677 00	Asymmetric Stand 60
106 676 00	Asymmetric Stand 80



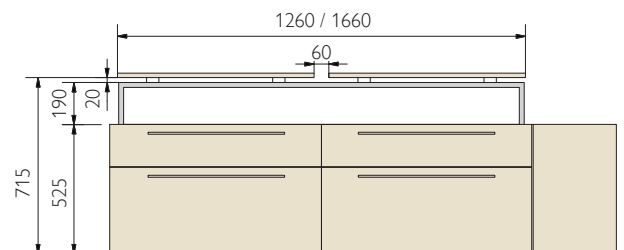
106 679 00	Asymmetric Stand 1260
106 678 00	Asymmetric Stand 1660



106 681 00	Stand for serving furniture 60
106 680 00	Stand for serving furniture 80

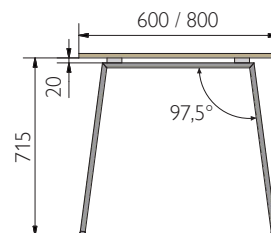


106 683 00	Stand for serving furniture 1260
106 682 00	Stand for serving furniture 1660

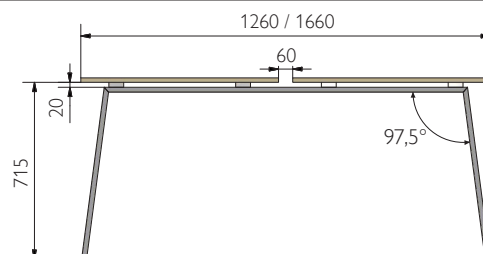


RX 5 STAND A

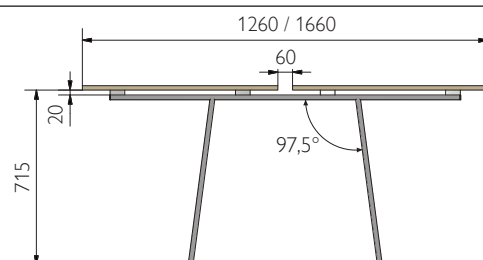
157 978 00	Stand A 60
158 080 00	Pair of Stands A 60
158 081 00	Pair of Stands A 80
158 082 00	Pair of Stands A 100



158 083 00	Pair of Stands A 126
158 084 00	Pair of Stands A 166



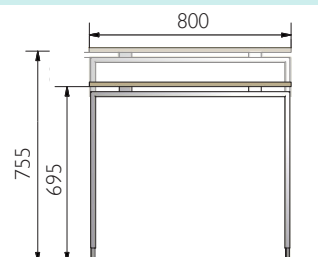
157 983 00	Central stand A 126
157 984 00	Central stand A 166



RX 5 ADJUSTMENT

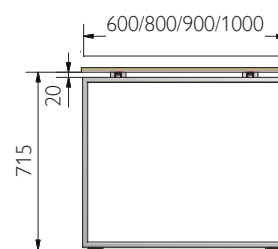
157 201 00	Pair of Stands 80 adj
------------	-----------------------

Step adjustment 20mm

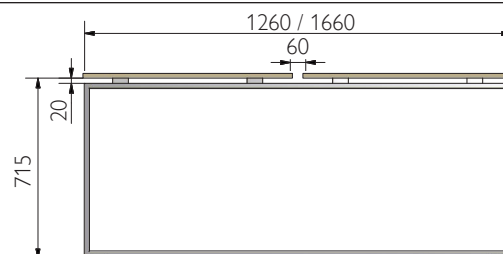


RX 5 STAND ANELLO

106 690 00	Anello stand 60
158 079 00	Pair anello stands 60
158 071 00	Pair anello stands 80
156 003 00	Pair anello stands 90
158 073 00	Pair anello stands 100

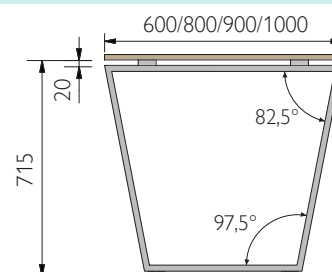


158 075 00	Pair anello stands 1260
158 076 00	Pair anello stands 1660

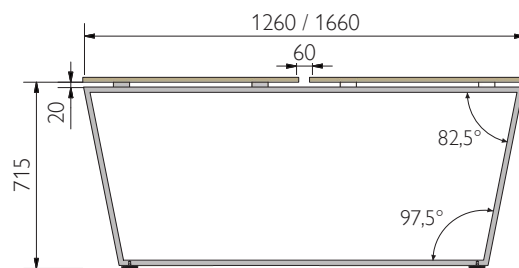


RX 5 STAND V

158 147 00	Stand V L60
158 148 00	Pair anello stands V L60
158 149 00	Pair anello stands V L80
158 150 00	Pair anello stands V L90
158 151 00	Pair anello stands V L100



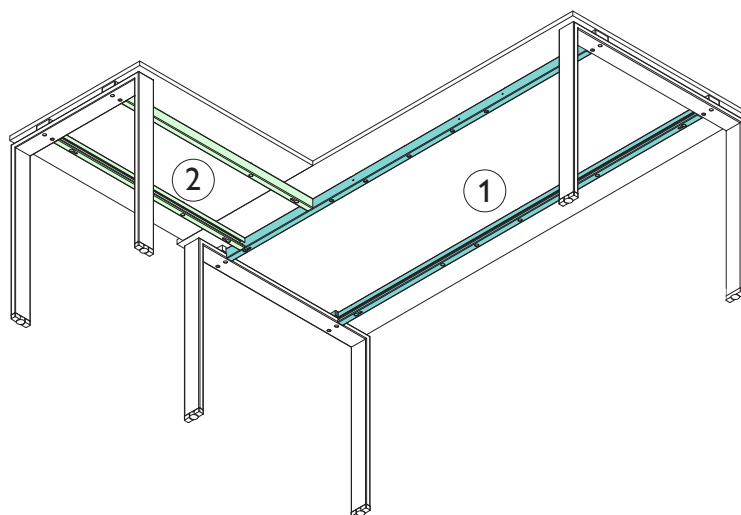
158 152 00	Pair anello stands V 126
158 153 00	Pair anello stands V 166



BEAMS

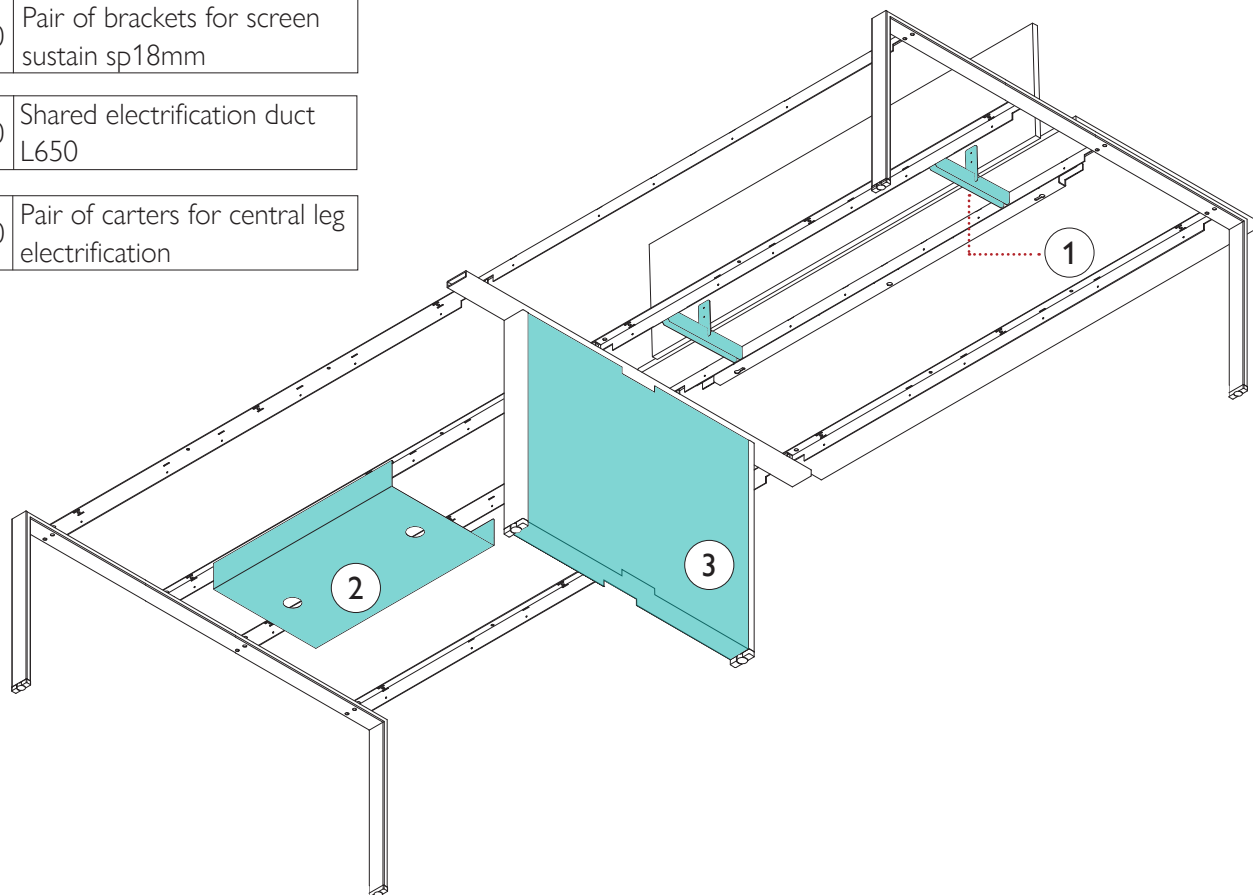
①	112 455 00	Pair of beams 800
	112 456 00	Pair of beams 1000
	112 457 00	Pair of beams 1200
	112 458 00	Pair of beams 1400
	112 459 00	Pair of beams 1600
	112 460 00	Pair of beams 1800
	112 461 00	Pair of beams 2000
	112 490 00	Pair of beams 2200
	112 462 00	Pair of beams 2400 H50

②	112 489 00	Pair of beams with extension 600
	154 046 00	Pair of beams with extension 800
	112 463 00	Pair of beams with extension 1000
	112 464 00	Pair of beams with extension 1200



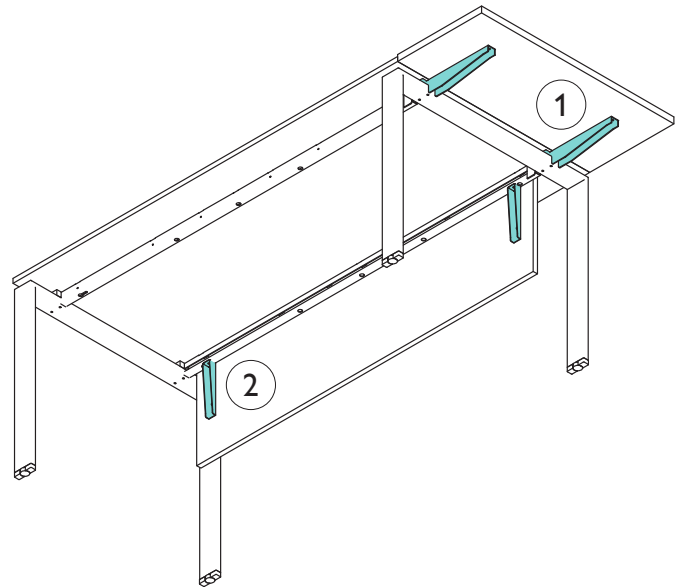
ACCESSORIES

①	154 373 00	Pair of brackets for screen sustain sp18mm	
	②	155 083 00	Shared electrification duct L650
	③	153 082 00	Pair of carters for central leg electrification



① 153 669 00 Pair of brackets for shelf sustain

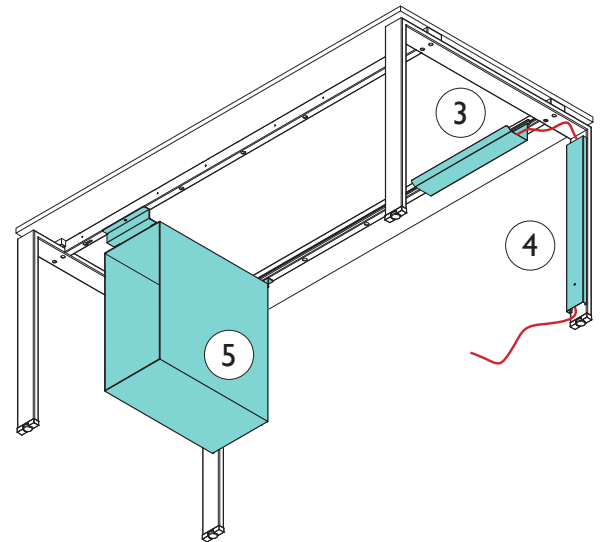
② 153 668 00 Pair of brackets for modesty panel sustain



③ 153 196 00 Duct for Top 600
 153 197 00 Duct for Top 800
 153 198 00 Duct for Top 1000
 153 199 00 Duct for Top 1200
 153 200 00 Duct for Top 1400
 153 201 00 Duct for Top 1600
 153 202 00 Duct for Top 1800
 153 203 00 Duct for Top 2000

④ 155 471 00 Vertical electrification carter

⑤ 157 758 00 Pc holder for stand 60, 80, 126, 166



⑥ 153 919 00 Pair of brackets for screen

⑦ 154 381 00 Pair of brackets for wall beams hooking

