

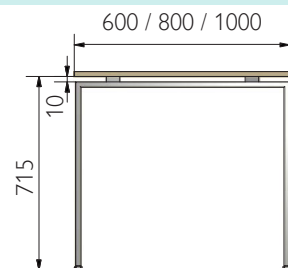
A program made up of stands for height adjustable single frames and bench.

The frames can be completed by accessories for modesty panels assembling, screens and carters for vertical and horizontal ducting.

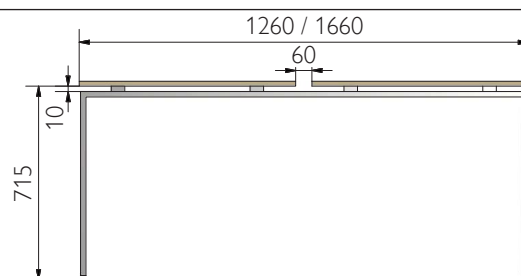
- STAND: 60x30mm section tube 2.0mm thickness
- BEAM: 2.0mm thickness press-folded sheet metal;
- FEET: adjustable feet matching with the stand color
- BEAM HEAD COVER: matching with the stand color
- PIANO: sopraelevato dalla struttura di 10mm

### FLEXY U

158 382 00	Stand 60
154 316 00	Pair of stands 60
154 275 00	Pair of stands 80
190 246 00	Pair of stands 100

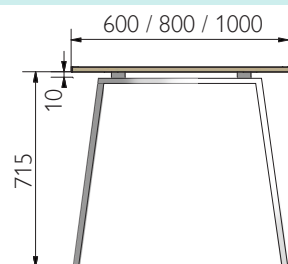


154 378 00	Pair of stands 126
154 379 00	Pair of stands 166

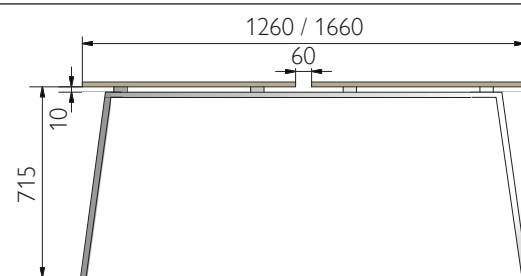


### FLEXY A

158 380 00	Stand 60
158 374 00	Pair of stands 60
158 372 00	Pair of stands 80
158 377 00	Pair of stands 100

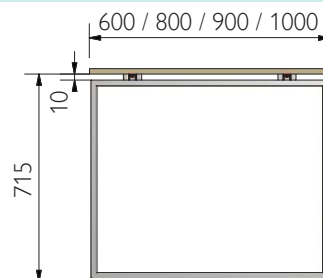


158 378 00	Pair of stands 126
158 379 00	Pair of stands 166

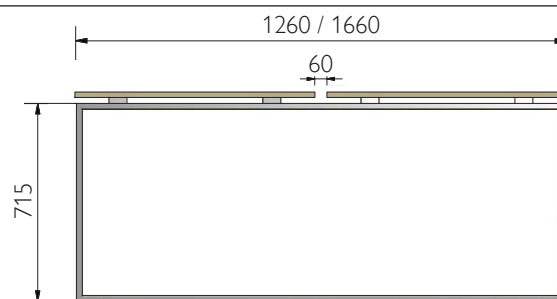


### FLEXY ANELLO

154 277 00	Stand anello 60
158 269 00	Pair of stands anello 60
154 498 00	Pair of stands anello 80
158 383 00	Pair of stands anello 90
158 384 00	Pair of stands anello 100

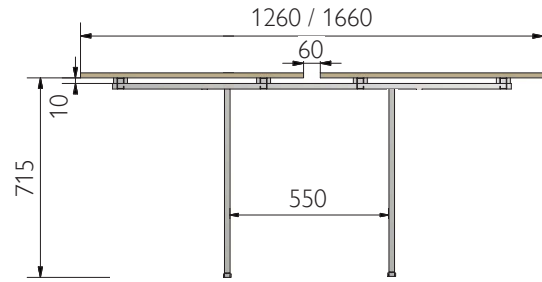


158 381 00	Pair of stands anello 126
156 206 00	Pair of stands anello 166



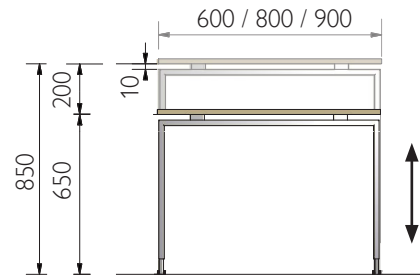
**CENTRAL STAND**

180 320 00	Central stand 126
180 385 00	Central stand 166

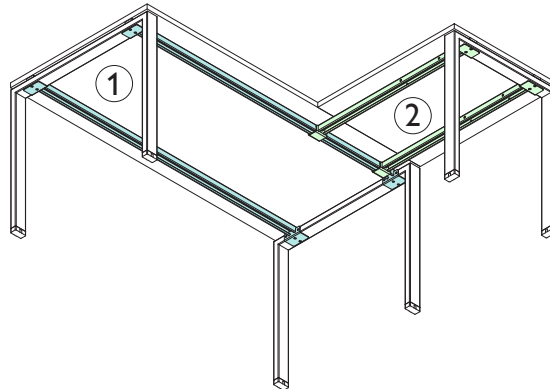

**FLEXY\_ADJUSTABLE**

154 267 00	Stand 60 adj
158 385 00	Pair of stands 60 adj
154 265 00	Pair of stands 80 adj
154 266 00	Pair of stands 90 adj

\*Step adjustment 20mm


**TRAVI**

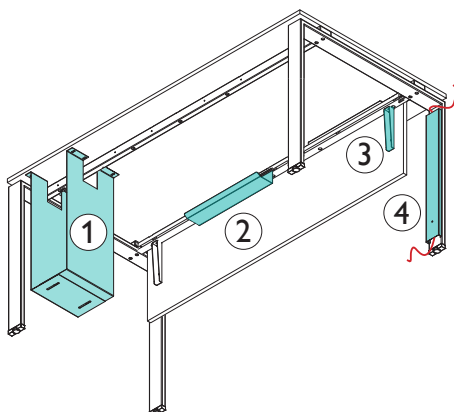
①	180 108 00	Pair of beams 800
	180 109 00	Pair of beams 1000
	180 110 00	Pair of beams 1200
	180 107 00	Pair of beams 1400
	180 029 00	Pair of beams 1600
	180 030 00	Pair of beams 1800
	180 111 00	Pair of beams 2000
	180 112 00	Pair of beams 2200
	180 113 00	Pair of beams 2400


**TRAVI PER ALLUNGO**

②	180 307 00	Pair of beams with ext. 600
	180 028 00	Pair of beams with ext. 800
	180 114 00	Pair of beams with ext. 1000
	180 115 00	Pair of beams with ext. 1200

**ACCESSORI**

①	Pc holder	157 200 00
②	Single electrification duct hooked to beams	
	154 118 00	Canala L700
	156 267 00	Canala L1350
③	Pair of brackets hooked to the beams for modesty panel	180 212 00
④	Vertical electrification carter	154 019 00



⑤	Electrified duct cable shared for stands 1260/1660 hooked to the beam	
	180 321 00	Canala L600
	180 336 00	Canala L800
⑥	Pair of carters for central stand	180 209 00
⑦	Pair of brackets for screen	158 010 00

