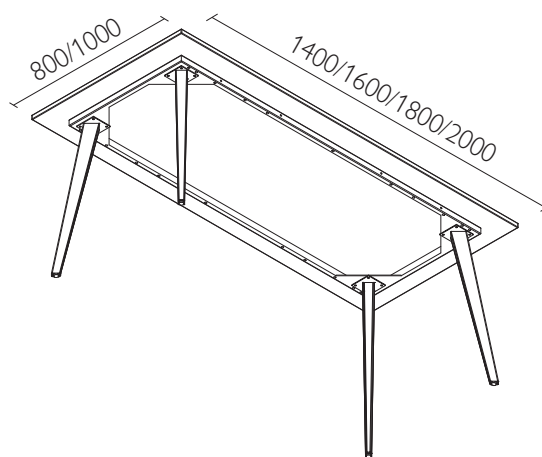


Desk structure made of an undertop frame and sloped legs.

- Frame made of 30x20 section tube
- Legs made of press-folded sheet metal
- Legs / frame fixed by M6 screws
- Epoxy powder paint

## FRAME PIN

157 470 00	For top 1400 x 800
157 471 00	For top 1400 x 1000
157 473 00	For top 1600 x 800
157 474 00	For top 1600 x 1000
157 476 00	For top 1800 x 800
157 477 00	For top 1800 x 1000
157 479 00	For top 2000 x 800
157 480 00	For top 2000 x 1000



## LEG PIN AND ACCESSORIES

①	157 688 00	Pair Leg pin
②	158 010 00	Pair of brackets modesty panel
③	157 200 00	Suspended PC Holder
④	157 673 00	Square duct L40

