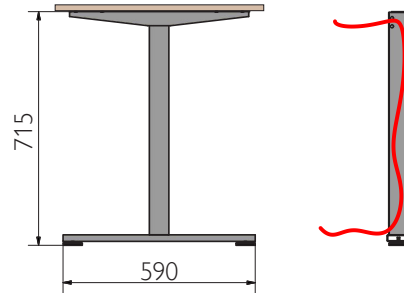


- Desk made of a 60 × 60 section leg with a 70 × 20 base
- Caps for ABS tube closing matching with frame color
- Central telescopic beam with cable routing possibility
- Drilled leg for cable routing

## LEG OF T

158 496 00	CP Gamba JOB T HSP 715
158 497 00	Gamba JOB T HSP 715



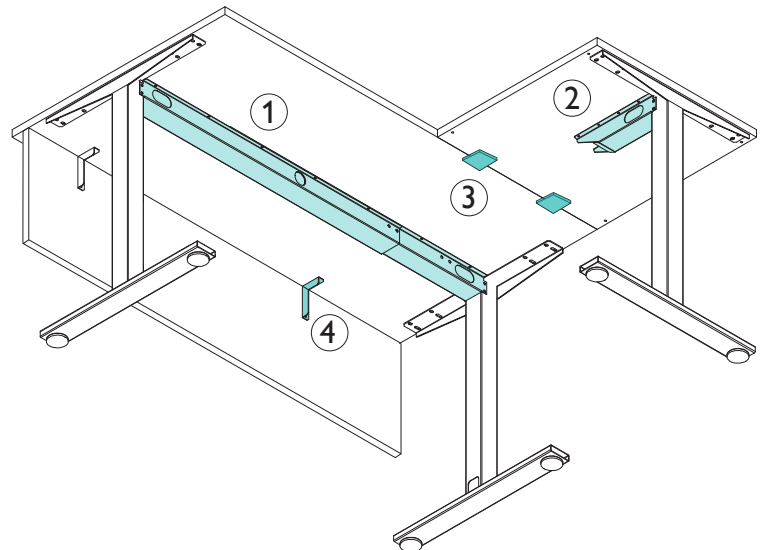
## BEAM AND ACCESSORIES

①	158 498 00	Telescopic beam JOB_T for top 1200/2000
---	------------	---

②	158 499 00	Lower Top Support for JOB_T
---	------------	-----------------------------

③	155 915 00	Pair of plates 49X46 mm
---	------------	-------------------------

④	158 010 00	Pair of brackets modesty panel 65X107
---	------------	---------------------------------------



⑤	158 500 00	Pair of brackets for JOB_T central
---	------------	------------------------------------

⑥	157 200 00	Suspended PC Holder
---	------------	---------------------

